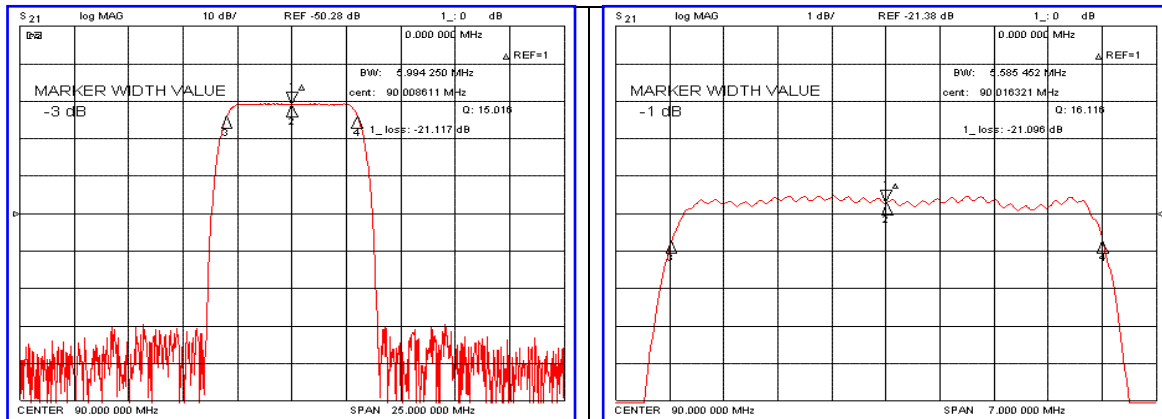


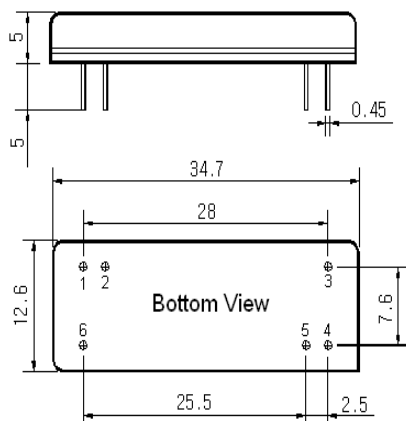
Typical Performance



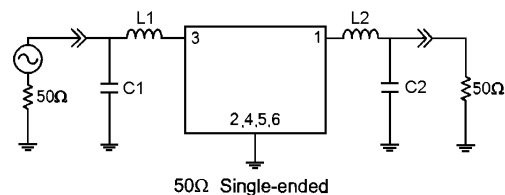
Specification

Parameter	Unit	Min.	Typ.	Max.
Center Frequency	Mhz	89.92	90.00	90.08
Insertion Loss	dB	-	21.50	23.00
1dB Bandwidth	Mhz	5.30	5.58	-
3dB Bandwidth	Mhz	5.80	5.99	-
40dB Bandwidth	Mhz	-	7.60	7.80
50dB Bandwidth	Mhz	-	7.73	-
Passband Ripple	dB	-	0.55	1.00
Group Delay Variation	nsec	-	85	100
Absolute Delay	µsec	-	2.6	-
Ultimate Attenuation	dB	50	60	-
Substrate Material	-	LiTaO ₃		
Temperature Coefficient	ppm/°C	-20		

Package Dimension



Matching Configuration



L1=L2=120nH, C1=56pF, C2=68pF
 Source / Load Impedance = 50Ω
 Ambient Temperature = 25°C

Rev 0. 070331

