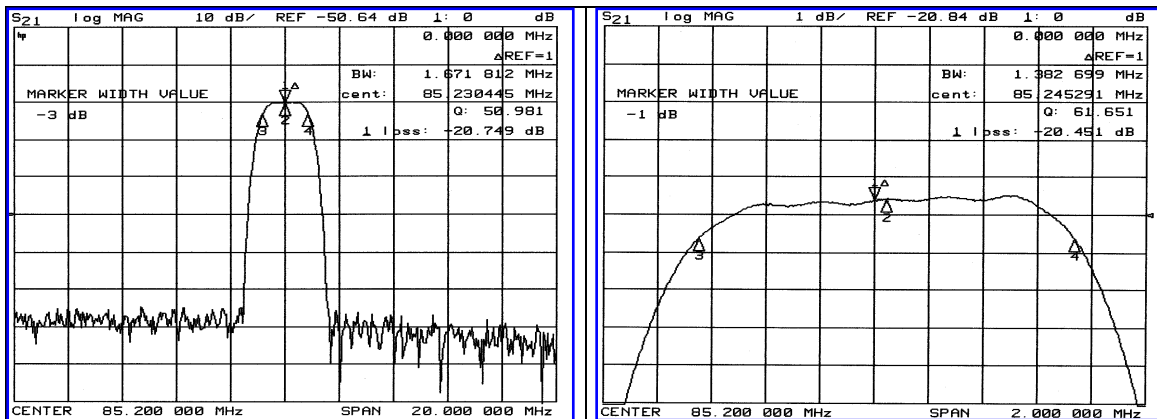


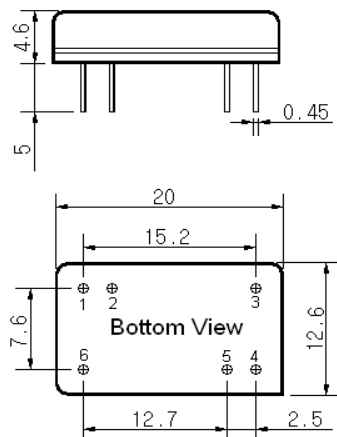
Typical Performance



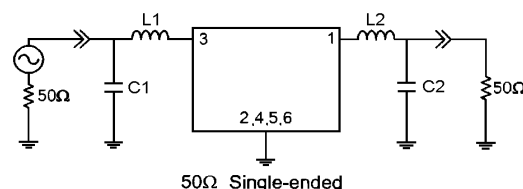
Specification

Parameter	Unit	Min.	Typ.	Max.
Center Frequency	Mhz	85.14	85.20	85.26
Insertion Loss	dB	-	21.00	22.50
1dB Bandwidth	Mhz	1.30	1.38	-
3dB Bandwidth	Mhz	1.60	1.67	-
20dB Bandwidth	Mhz	-	2.51	2.80
40dB Bandwidth	Mhz	-	2.90	-
Passband Ripple	dB	-	0.55	1.00
Group Delay Variation	nsec	-	100	200
Absolute Delay	µsec	-	2.1	-
Ultimate Attenuation	dB	50	55	-
Substrate Material	-	Quartz		
Temperature Coefficient	ppm/°C ²	-0.03		

Package Dimension



Matching Configuration



L1=L2=270nH, C1=18pF, C2=33pF
 Source / Load Impedance = 50Ω
 Ambient Temperature = 25°C

02/19/2005

