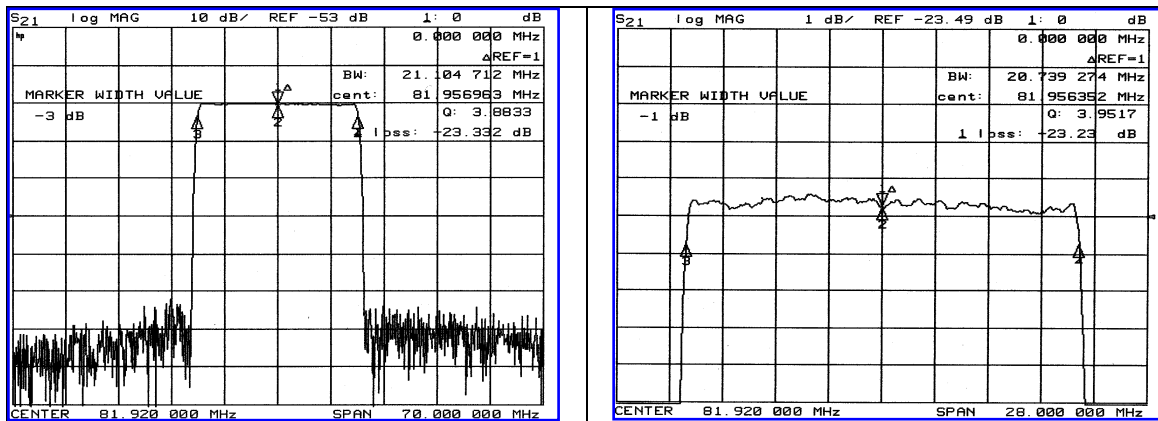


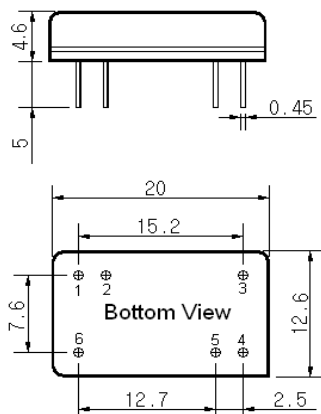
Typical Performance



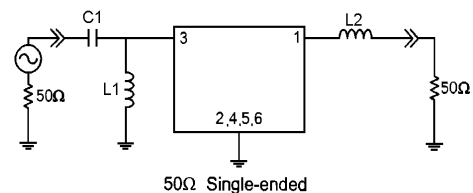
Specification

Parameter	Unit	Min.	Typ.	Max.
Center Frequency	MHz	81.84	81.92	82.00
Insertion Loss	dB	-	24.00	25.50
1dB Bandwidth	MHz	-	20.73	-
3dB Bandwidth	MHz	21.00	21.10	-
40dB Bandwidth	MHz	-	22.55	23.00
Passband Ripple (F _o ±7.0MHz)	dB	-	0.35	0.50
Group Delay Variation	nsec	-	30	50
Absolute Delay	µsec	-	2.1	-
Ultimate Attenuation	dB	50	55	-
Substrate Material	-	128-LiNbO ₃		
Temperature Coefficient	ppm/°C ²	-72		

Package Dimension



Matching Configuration



L1=82nH, L2=0.12µH, C1=56pF
 Source / Load Impedance = 50Ω
 Ambient Temperature = 25°C

04/05/2006

