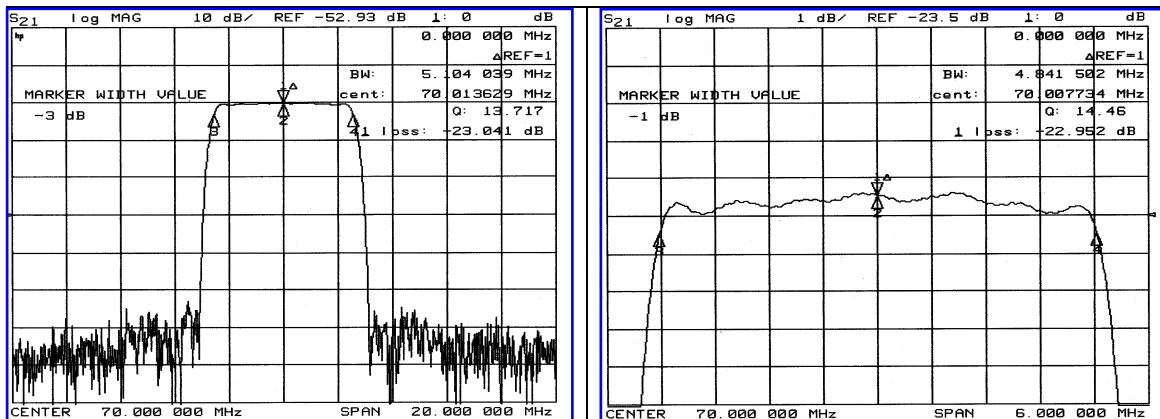


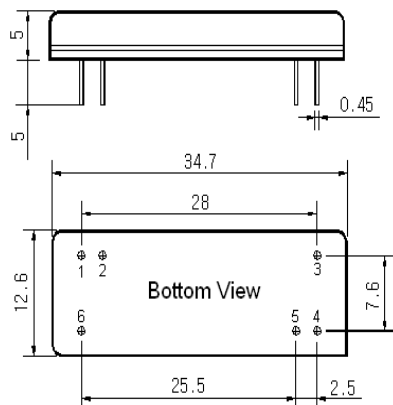
Typical Performance



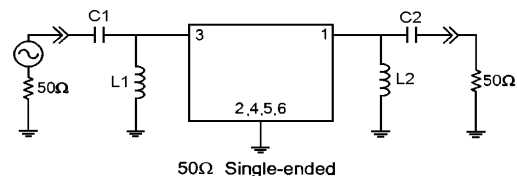
Specification

Parameter	Unit	Min.	Typ.	Max.
Center Frequency	Mhz	69.92	70.00	70.08
Insertion Loss	dB	-	23.50	25.00
1dB Bandwidth	Mhz	4.70	4.84	-
3dB Bandwidth	Mhz	5.00	5.10	-
40dB Bandwidth	Mhz	-	6.05	6.30
50dB Bandwidth	Mhz	-	6.15	-
Passband Ripple	dB	-	0.55	1.00
Group Delay Variation	nsec	-	50	100
Absolute Delay	µsec	-	4.6	-
Ultimate Attenuation	dB	50	55	-
Substrate Material	-	LiTaO ₃		
Temperature Coefficient	ppm/°C	-20		

Package Dimension



Matching Configuration



L1=68nH, L2=82nH, C1=62pF, C2=75pF
 Source / Load Impedance = 50Ω
 Ambient Temperature = 25°C

12/01/2004

