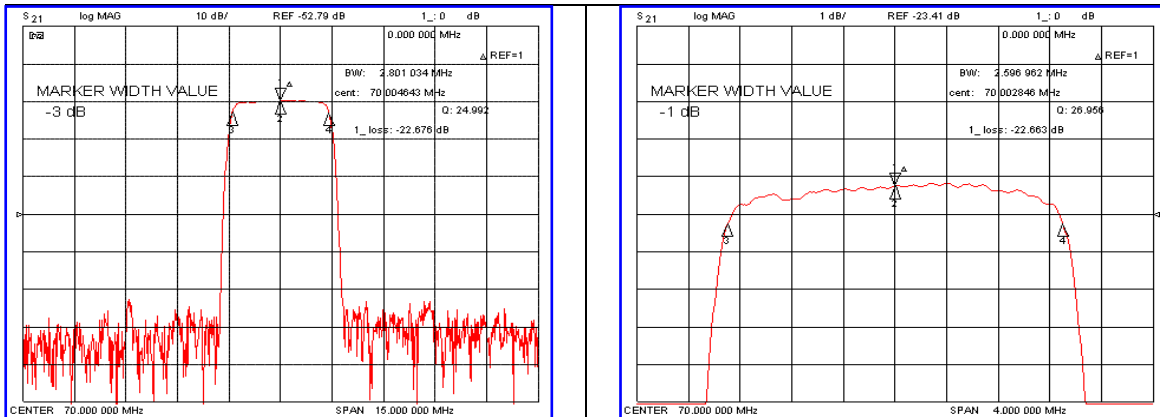


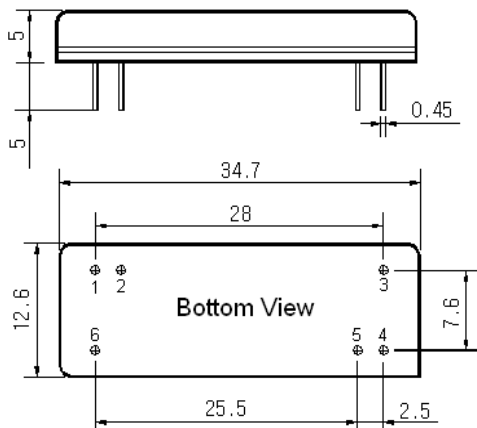
### Typical Performance



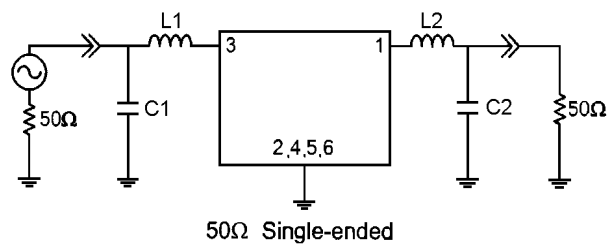
### Specification

Parameter	Unit	Min.	Typ.	Max.
Center Frequency	MHz	69.92	70.00	70.08
Insertion Loss	dB	-	22.70	25.00
1dB Bandwidth	MHz	2.50	2.59	-
3dB Bandwidth	MHz	-	2.80	-
40dB Bandwidth	MHz	-	3.43	-
50dB Bandwidth	MHz	-	3.52	3.65
Passband Ripple	dB	-	0.60	1.00
Group Delay Variation	nsec	-	105	200
Absolute Delay	usec	-	3.73	-
Ultimate Attenuation	dB	48	52	-
Substrate Material	-	Quartz		
Temperature Coefficient	ppm/°C	-0.03		

### Package Dimension



### Matching Configuration



L1=300nH, L2=250nH, C1=91pF, C2=91pF  
 Source / Load Impedance = 50Ω  
 Ambient Temperature = 25°C

Rev.0 091216

