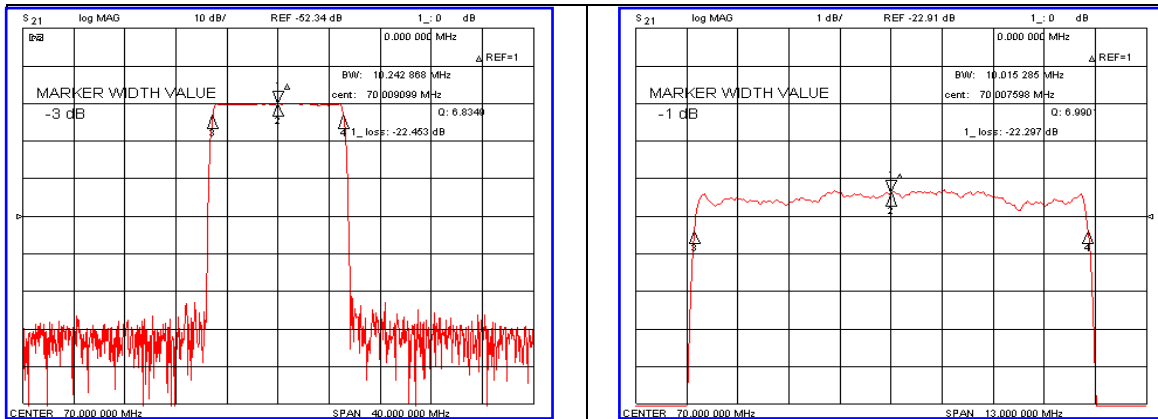


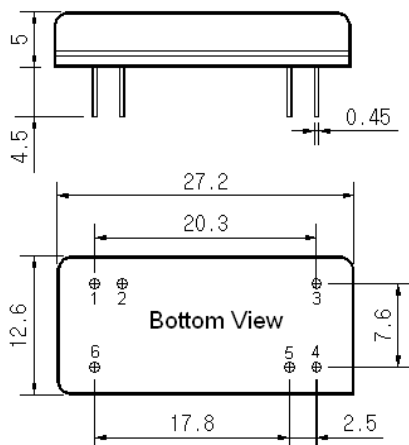
Typical Performance



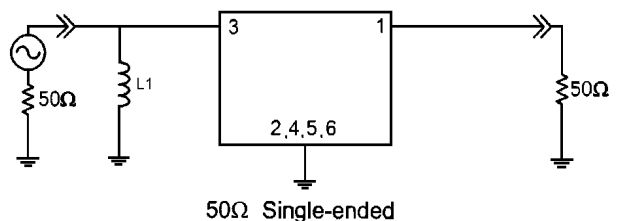
Specification

Parameter	Unit	Min.	Typ.	Max.
Center Frequency	MHz	69.92	70.00	70.08
Insertion Loss	dB	-	22.50	25.00
1dB Bandwidth	MHz	-	10.01	-
3dB Bandwidth	MHz	10.10	10.24	-
40dB Bandwidth	MHz	-	11.12	11.25
Passband Ripple	dB	-	0.55	1.00
Group Delay Variation	nsec	-	55	100
Absolute Delay	µsec	-	3.03	-
Ultimate Attenuation	dB	50	55	-
Substrate Material	-	128-LiNbO ₃		
Temperature Coefficient	ppm/°C	-72		

Package Dimension



Matching Configuration



L1=180nH
 Source / Load Impedance = 50Ω
 Ambient Temperature = 25°C

Rev.0 090703

