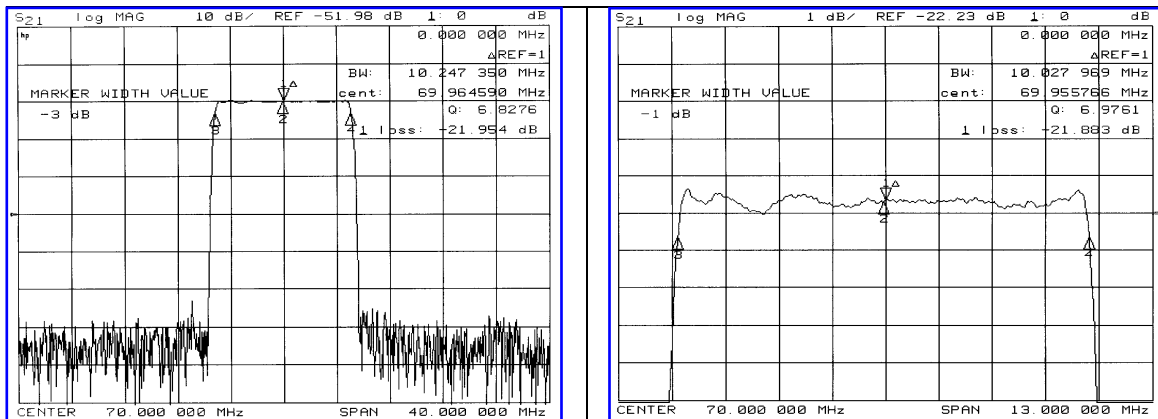


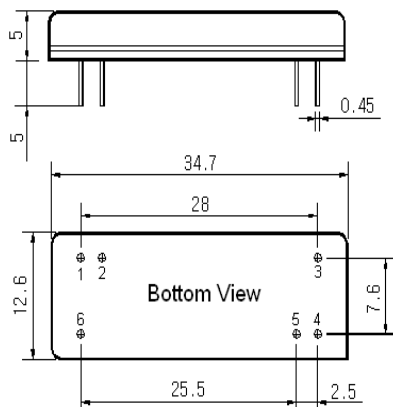
Typical Performance



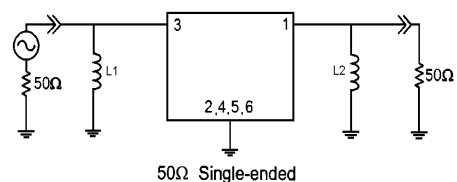
Specification

Parameter	Unit	Min.	Typ.	Max.
Center Frequency	MHz	69.92	70.00	70.08
Insertion Loss	dB	-	22.00	24.00
1dB Bandwidth	MHz	-	10.02	-
3dB Bandwidth	MHz	10.10	10.24	-
20dB Bandwidth	MHz	-	10.89	11.00
30dB Bandwidth	MHz	-	11.07	-
40dB Bandwidth	MHz	-	11.18	-
Passband Ripple	dB	-	0.75	1.00
Group Delay Variation	nsec	-	100	200
Absolute Delay	µsec	-	3.23	-
Ultimate Attenuation	dB	50	53	-
Substrate Material	-	128-LiNbO ₃		

Package Dimension



Matching Configuration



L1=270nH, L2=390nH
 Source / Load Impedance = 50Ω
 Ambient Temperature = 25°C

05/08/2006

