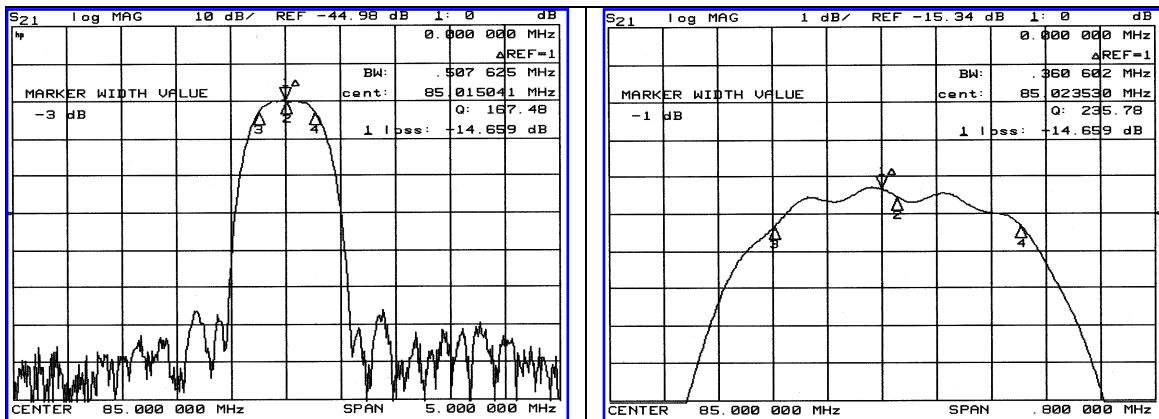


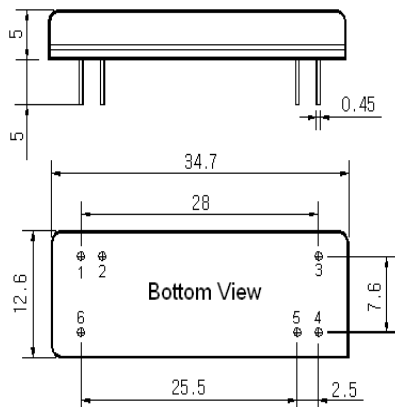
Typical Performance



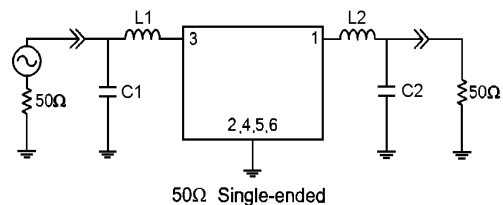
Specification

Parameter	Unit	Min.	Typ.	Max.
Center Frequency	MHz	84.95	85.00	85.05
Insertion Loss	dB	-	15.00	16.50
1dB Bandwidth	MHz	0.30	0.36	-
3dB Bandwidth	MHz	0.49	0.50	-
40dB Bandwidth	MHz	-	1.03	1.20
50dB Bandwidth	MHz	-	1.08	-
Passband Ripple	dB	-	0.65	1.00
Group Delay Variation	nsec	-	500	800
Absolute Delay	μsec	-	3.2	-
Ultimate Attenuation	dB	50	55	-
Substrate Material	-	Quartz		
Temperature Coefficient	ppm/°C ²	-0.03		

Package Dimension



Matching Configuration



L1=L2=100nH, C1=C2=43pF
 Source / Load Impedance = 50Ω
 Ambient Temperature = 25°C

05/11/2005

