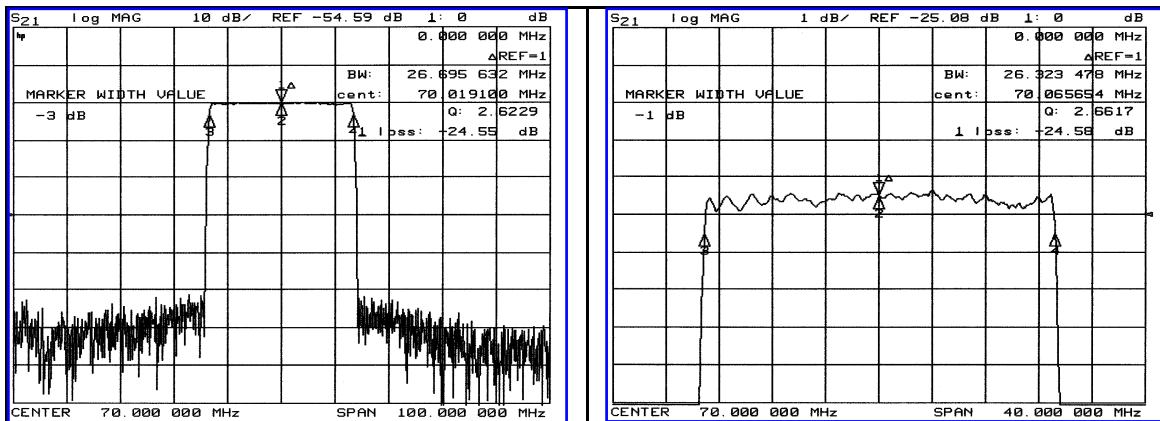


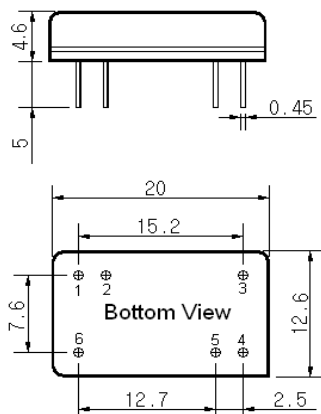
Typical Performance



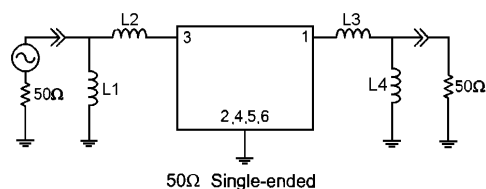
Specification

Parameter	Unit	Min.	Typ.	Max.
Center Frequency	MHz	69.92	70.00	70.08
Insertion Loss	dB	-	24.50	26.00
1dB Bandwidth	MHz	-	26.23	-
3dB Bandwidth	MHz	26.50	26.69	-
40dB Bandwidth	MHz	-	28.26	28.50
Passband Ripple	dB	-	0.55	1.00
Group Delay Variation	nsec	-	50	100
Absolute Delay	μsec	-	2.0	-
Ultimate Attenuation	dB	50	55	-
Operating Temp. Range	°C	-20	+25	+70
Substrate Material	-	128-LiNbO ₃		
Temperature Coefficient	ppm/°C	-72		

Package Dimension



Matching Configuration



L1=0.39μH, L2=220nH, L3=180nH, L4=0.56μH
 Source / Load Impedance = 50Ω
 Ambient Temperature = 25°C

06/14/2005

