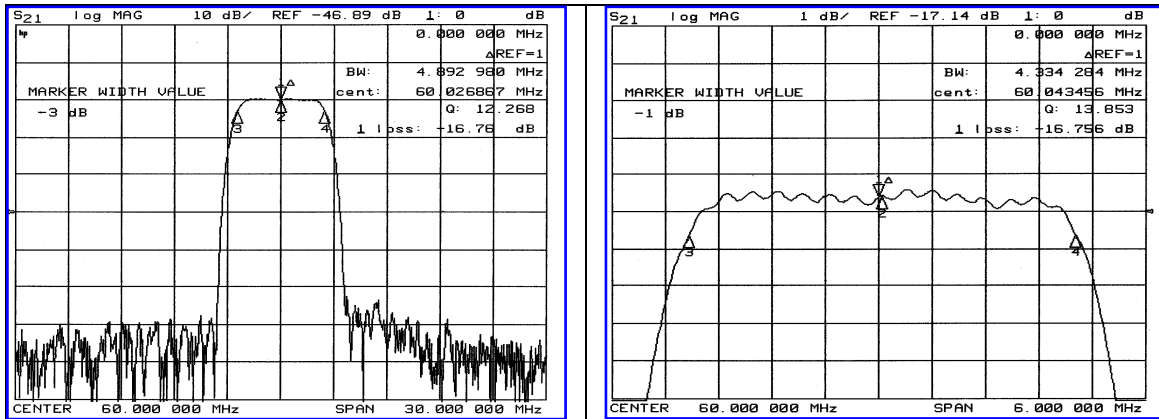


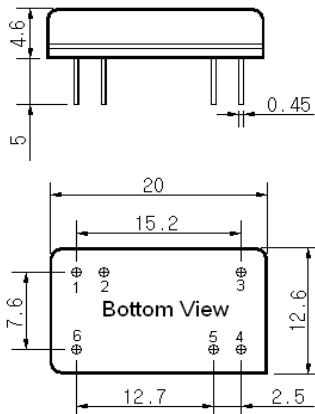
### Typical Performance



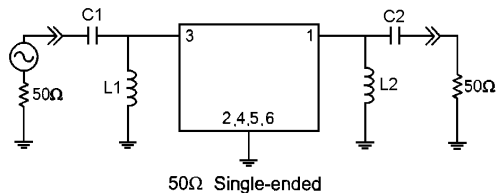
### Specification

Parameter	Unit	Min.	Typ.	Max.
Center Frequency	MHz	59.92	60.00	60.08
Insertion Loss	dB	-	17.00	20.00
1dB Bandwidth	MHz	-	4.33	-
3dB Bandwidth	MHz	4.75	4.89	-
40dB Bandwidth	MHz	-	6.90	7.10
Passband Ripple	dB	-	0.55	1.00
Group Delay Variation	nsec	-	100	200
Absolute Delay	µsec	-	1.74	-
Ultimate Attenuation	dB	50	55	-
Operating Temp. Range	°C	-20	+25	+70
Substrate Material	-	LiNbO <sub>3</sub>		
Temperature Coefficient	ppm/°C	-94		

### Package Dimension



### Matching Configuration



L1=L2=180nH, C1=C2=51pF  
 Source / Load Impedance = 50Ω  
 Ambient Temperature = 25°C

08/12/2005

