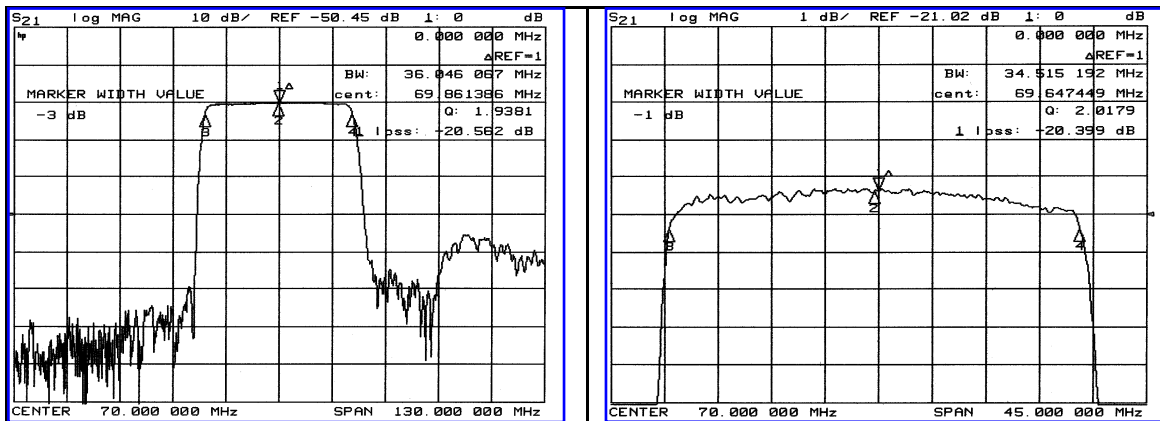


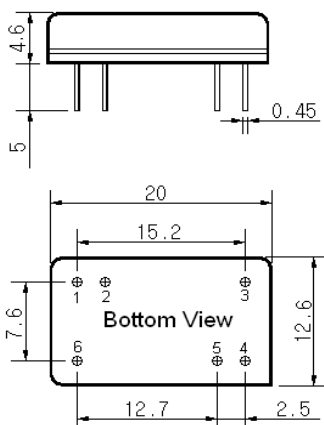
Typical Performance



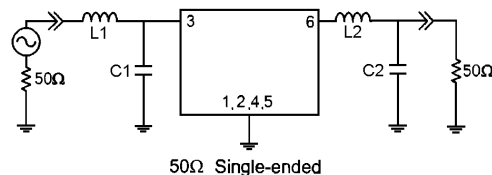
Specification7

Parameter	Unit	Min.	Typ.	Max.
Center Frequency	MHz	-	70.00	-
Insertion Loss	dB	-	20.50	23.00
1dB Bandwidth	MHz	-	34.51	-
3dB Bandwidth	MHz	-	36.00	-
40dB Bandwidth	MHz	-	42.05	43.00
Passband Ripple	dB	-	0.65	1.00
Group Delay Variation	nsec	-	50	100
Absolute Delay	μsec	-	0.88	-
Ultimate Attenuation	dB	-	40	-
Operating Temp. Range	°C	-20	+25	+70
Substrate Material	-	YZ-LiNbO ₃		
Temperature Coefficient	ppm/°C	-86		

Package Dimension



Matching Configuration



L1=150nH, L2=10nH, C1=3pF, C2=33pF
Source / Load Impedance = 50Ω
Ambient Temperature = 25°C

08/25/2005

