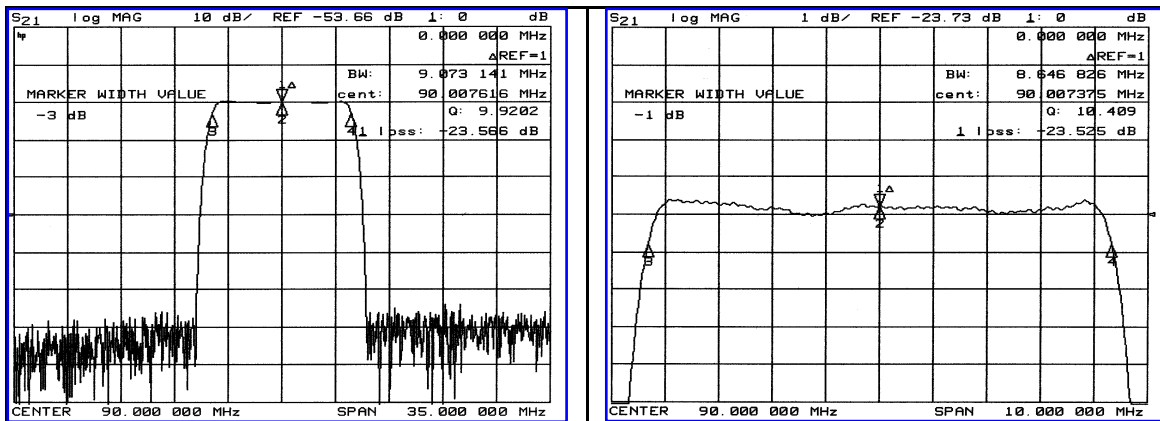


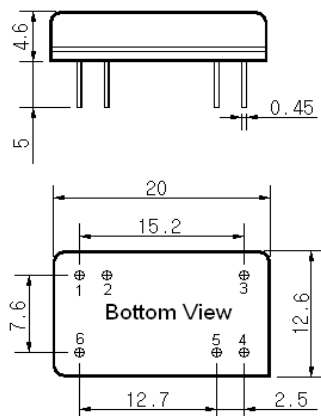
Typical Performance



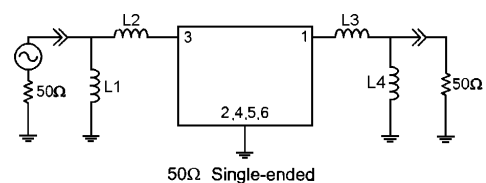
Specification

Parameter	Unit	Min.	Typ.	Max.
Center Frequency	MHz	89.90	90.00	90.10
Insertion Loss	dB	-	23.50	25.00
1dB Bandwidth	MHz	8.50	8.64	-
3dB Bandwidth	MHz	-	9.00	-
40dB Bandwidth	MHz	-	10.80	11.00
Passband Ripple	dB	-	0.55	1.00
Group Delay Variation	nsec	-	50	100
Absolute Delay	μsec	-	2.92	-
Ultimate Attenuation	dB	50	55	-
Operating Temp. Range	°C	-20	+25	+70
Substrate Material	-	LiTaO <sub>3</sub>		
Temperature Coefficient	ppm/°C	-20		

Package Dimension



Matching Configuration



L1=56nH, L2=68nH, L3=68nH, L4=56nH  
Source / Load Impedance = 50Ω  
Ambient Temperature = 25°C

08/26/2005

