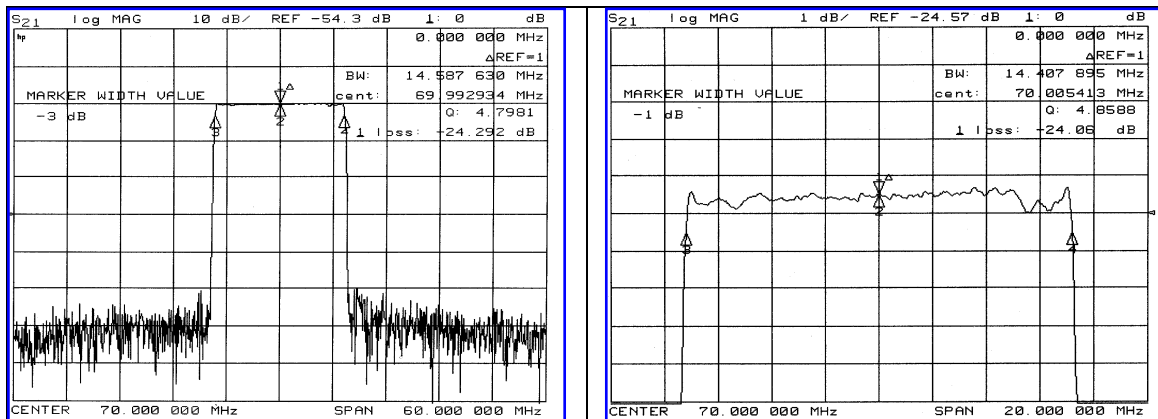


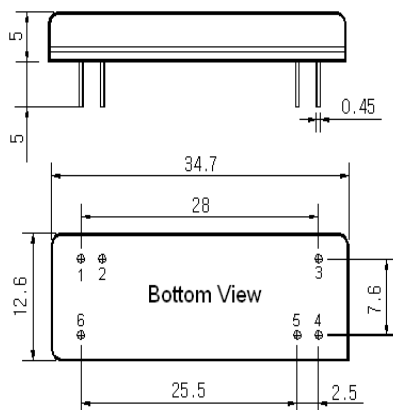
### Typical Performance



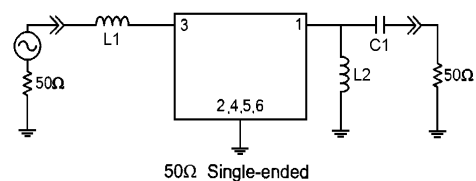
### Specification

Parameter	Unit	Min.	Typ.	Max.
Center Frequency	MHz	69.92	70.00	70.08
Insertion Loss	dB	-	24.50	26.00
1dB Bandwidth	MHz	-	14.40	-
3dB Bandwidth	MHz	14.50	14.58	-
40dB Bandwidth	MHz	-	15.34	15.50
Passband Ripple	dB	-	0.65	1.00
Group Delay Variation	nsec	-	80	120
Absolute Delay	µsec	-	3.82	-
Ultimate Attenuation	dB	50	53	-
Substrate Material	-	128-LiNbO <sub>3</sub>		
Temperature Coefficient	ppm/°C	-72		

### Package Dimension



### Matching Configuration



L1=120nH, L2=120nH, C1=100pF  
 Source / Load Impedance = 50Ω  
 Ambient Temperature = 25°C

11/24/2005

