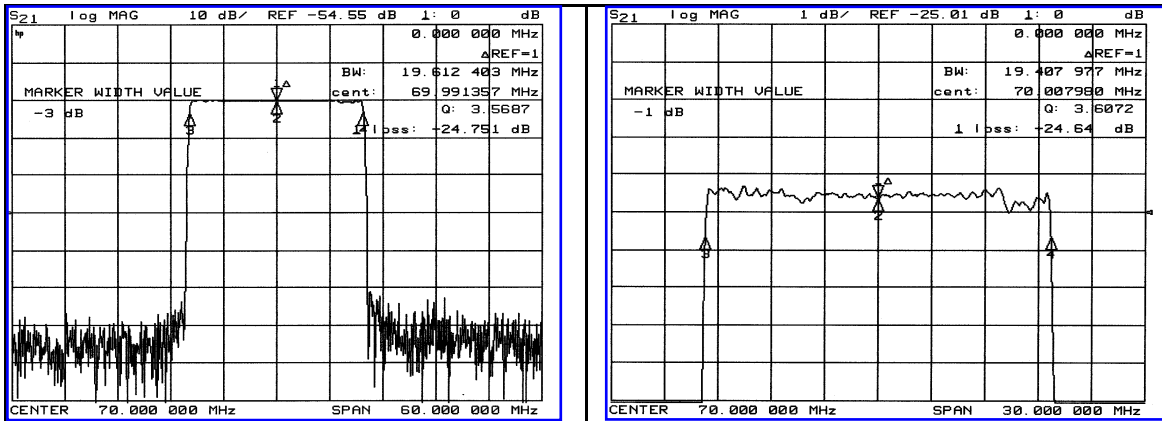


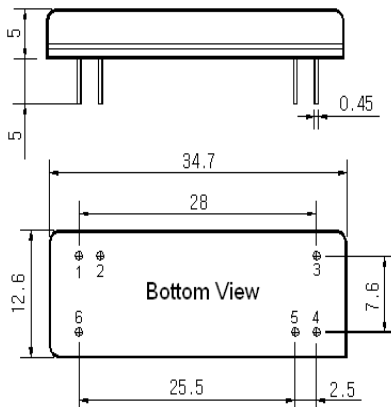
Typical Performance



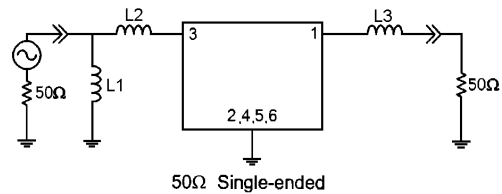
Specification

Parameter	Unit	Min.	Typ.	Max.
Center Frequency	MHz	69.94	70.00	70.06
Insertion Loss	dB	-	24.50	26.00
1dB Bandwidth	MHz	-	19.40	-
3dB Bandwidth	MHz	19.40	19.61	-
40dB Bandwidth	MHz	-	20.52	20.65
Passband Ripple	dB	-	0.75	1.00
Group Delay Variation	nsec	-	50	100
Absolute Delay	μsec	-	3.31	-
Ultimate Attenuation	dB	50	55	-
Substrate Material	-	128-LiNbO ₃		
Temperature Coefficient	ppm/°C	-72		

Package Dimension



Matching Configuration



L1=0.18μH, L2=82nH, L3=82nH
Source / Load Impedance = 50Ω
Ambient Temperature = 25°C

09/10/2005

