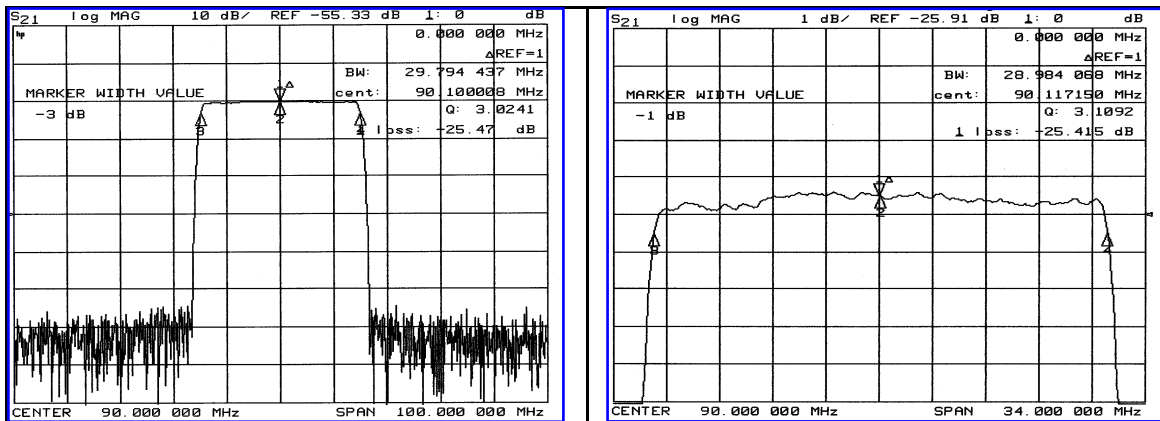


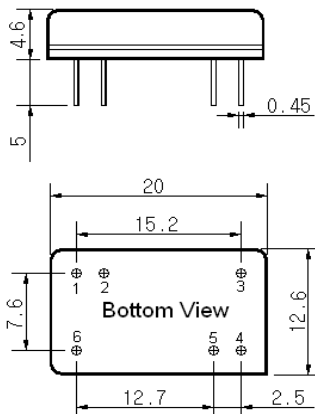
Typical Performance



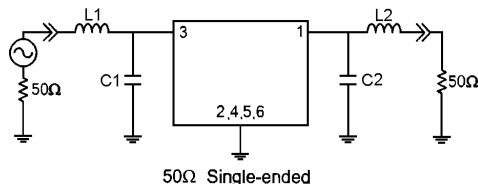
Specification

Parameter	Unit	Min.	Typ.	Max.
Center Frequency	MHz	89.85	90.05	90.15
Insertion Loss	dB	-	25.50	27.00
1dB Bandwidth	MHz	-	28.98	-
3dB Bandwidth	MHz	29.50	29.79	-
40dB Bandwidth	MHz	-	32.66	33.00
Passband Ripple	dB	-	0.65	1.00
Group Delay Variation	nsec	-	50	100
Absolute Delay	μsec	-	1.3	1.5
Ultimate Attenuation	dB	50	55	-
Operating Temp. Range	°C	-20	+25	+70
Substrate Material	-	128-LiNbO <sub>3</sub>		
Temperature Coefficient	ppm/°C	-72		

Package Dimension



Matching Configuration



L1=L2=120nH, C1=5pF, C2=4.3pF  
Source / Load Impedance = 50Ω  
Ambient Temperature = 25°C

06/17/2005

