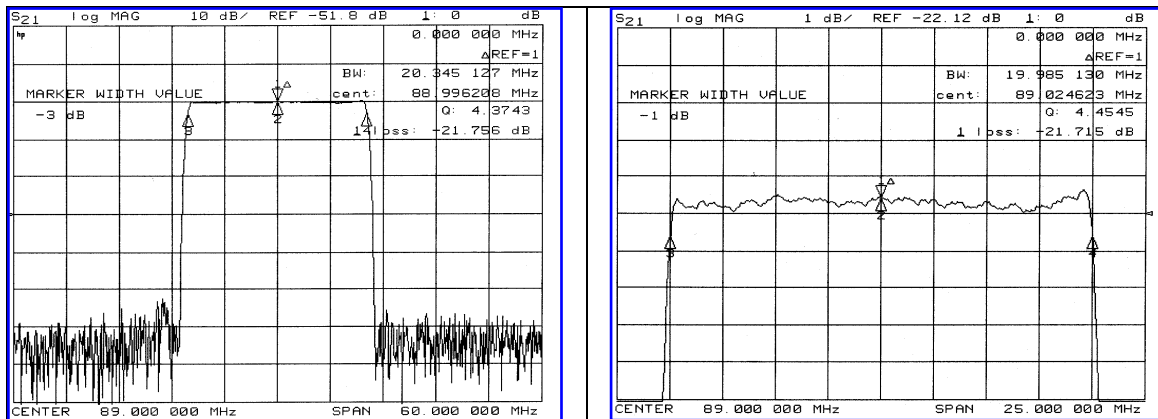


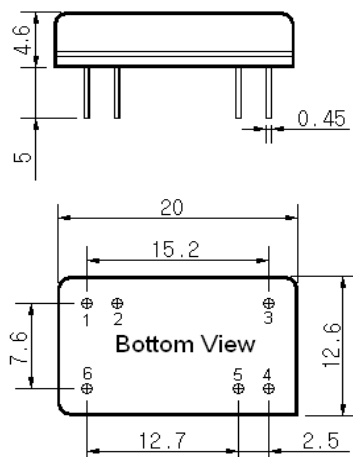
Typical Performance



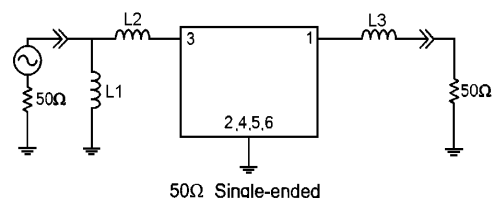
Specification

Parameter	Unit	Min.	Typ.	Max.
Center Frequency	MHz	88.90	89.00	89.10
Insertion Loss	dB	-	22.00	24.00
1dB Bandwidth	MHz	-	19.98	-
3dB Bandwidth	MHz	20.20	20.34	-
40dB Bandwidth	MHz	-	21.83	22.00
Passband Ripple	dB	-	0.65	1.00
Group Delay Variation	nsec	-	50	100
Absolute Delay	µsec	-	2.00	-
Ultimate Attenuation	dB	50	55	-
Substrate Material	-	128-LiNbO ₃		
Temperature Coefficient	ppm/°C	-72		

Package Dimension



Matching Configuration



L1=180nH, L2=56nH, L3=100nH
 Source / Load Impedance = 50Ω
 Ambient Temperature = 25°C

02/10/2006

