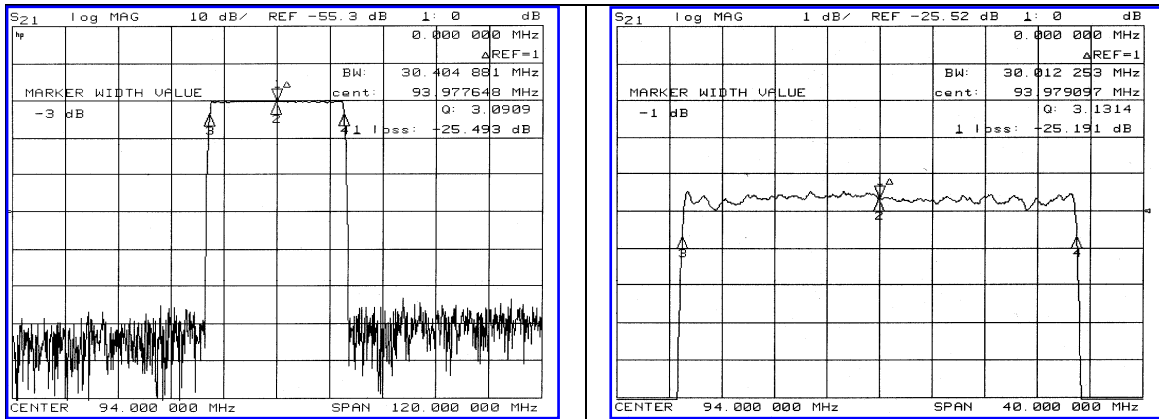


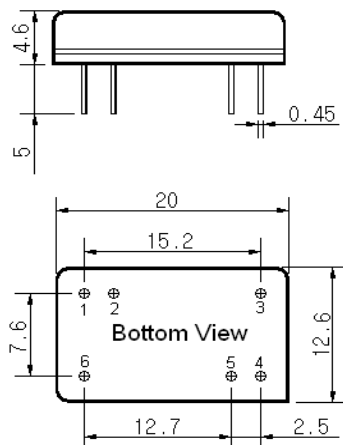
Typical Performance



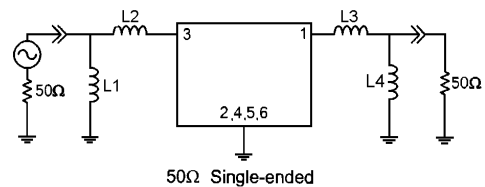
Specification

Parameter	Unit	Min.	Typ.	Max.
Center Frequency	MHz	93.90	94.00	94.10
Insertion Loss	dB	-	25.50	27.00
1dB Bandwidth	MHz	-	30.01	-
3dB Bandwidth	MHz	30.30	30.42	-
40dB Bandwidth	MHz	-	32.17	32.50
Passband Ripple	dB	-	0.65	1.00
Group Delay Variation	nsec	-	50	100
Absolute Delay	µsec	-	1.78	-
Ultimate Attenuation	dB	50	55	-
Substrate Material	-	128-LiNbO ₃		
Temperature Coefficient	ppm/°C	-72		

Package Dimension



Matching Configuration



L1=L4=270nH, L2=82nH, L3=56nH
Source / Load Impedance = 50Ω
Ambient Temperature = 25°C

02/08/2006

