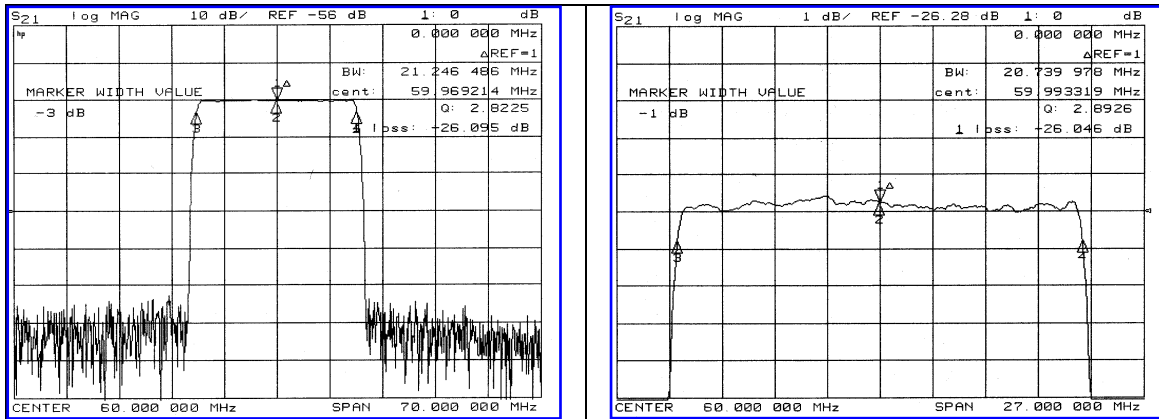


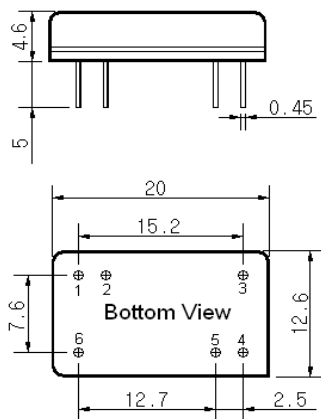
Typical Performance



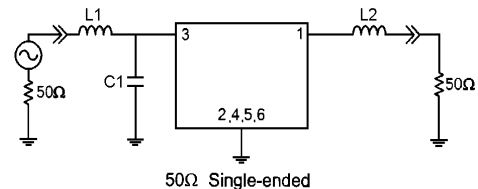
Specification

Parameter	Unit	Min.	Typ.	Max.
Center Frequency	MHz	59.90	60.00	60.10
Insertion Loss	dB	-	26.00	27.50
1dB Bandwidth	MHz	-	20.74	-
3dB Bandwidth	MHz	21.00	21.25	-
40dB Bandwidth	MHz	-	23.26	23.50
Passband Ripple	dB	-	0.55	1.00
Group Delay Variation	nsec	-	30	50
Absolute Delay	μsec	-	1.80	-
Ultimate Attenuation	dB	50	55	-
Substrate Material	-	128-LiNbO ₃		
Temperature Coefficient	ppm/°C ²	-72		

Package Dimension



Matching Configuration



L1=270nH, L2=220nH, C1=7.5pF
 Source / Load Impedance = 50Ω
 Ambient Temperature = 25°C

02/15/2006

