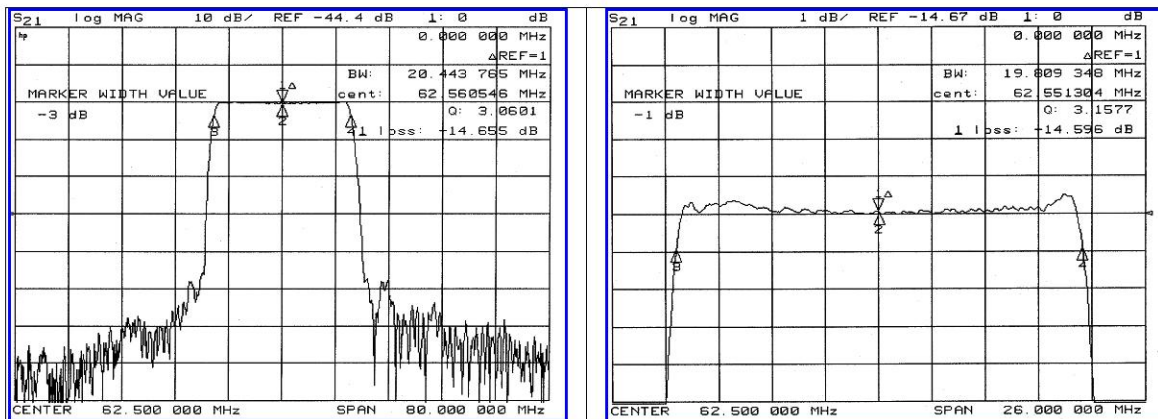


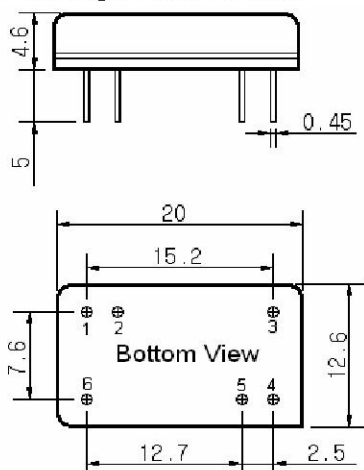
Typical Performance



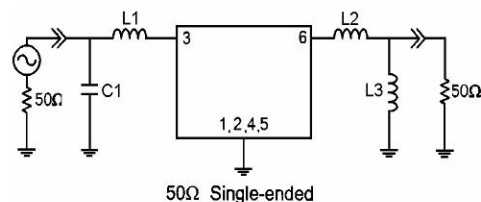
Specification

| Parameter | Unit | Min. | Typ. | Max. |
|-------------------------|--------|-----------------------|-------|-------|
| Center Frequency | MHz | 62.40 | 62.50 | 62.60 |
| Insertion Loss | dB | - | 15.00 | 17.00 |
| 1dB Bandwidth | MHz | - | 19.81 | - |
| 3dB Bandwidth | MHz | 20.30 | 20.44 | - |
| 40dB Bandwidth | MHz | - | 23.56 | 24.00 |
| Passband Ripple | dB | - | 0.65 | 1.00 |
| Group Delay Variation | nsec | - | 50 | 100 |
| Absolute Delay | μsec | - | 1.22 | - |
| Ultimate Attenuation | dB | 40 | 50 | - |
| Substrate Material | - | YZ-LiNbO ₃ | | |
| Temperature Coefficient | ppm/°C | -86 | | |

Package Dimension



Matching Configuration



L1=150nH, L2=82nH, L3=150nH, C1=33pF
 Source / Load Impedance = 50Ω
 Ambient Temperature = 25°C

02/20/2006

