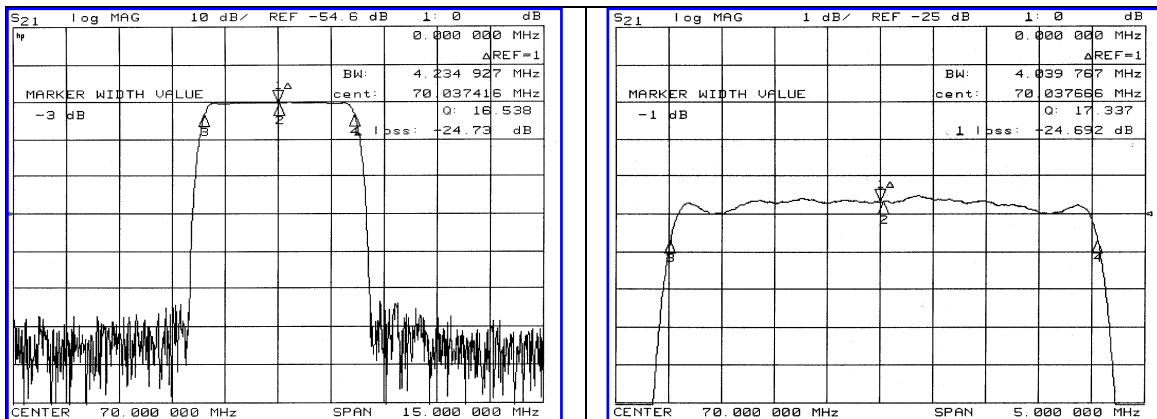


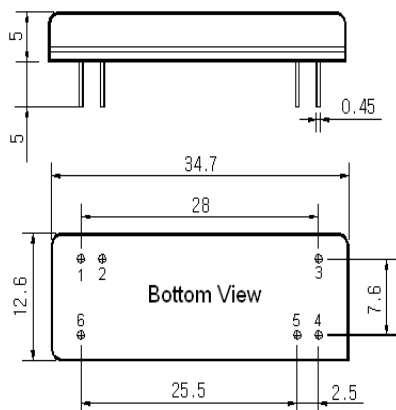
Typical Performance



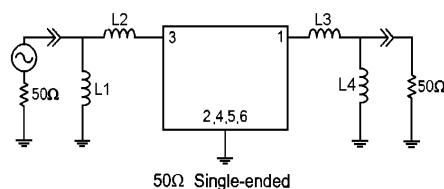
Specification

Parameter	Unit	Min.	Typ.	Max.
Center Frequency	MHz	69.92	70.00	70.08
Insertion Loss	dB	-	24.50	26.00
1dB Bandwidth	MHz	3.90	4.03	-
3dB Bandwidth	MHz	-	4.24	-
20dB Bandwidth	MHz	-	4.78	-
45dB Bandwidth	MHz	-	5.06	5.20
Passband Ripple	dB	-	0.55	1.00
Group Delay Variation	nsec	-	80	150
Absolute Delay	µsec	-	5.02	-
Ultimate Attenuation	dB	50	55	-
Substrate Material	-	LiTaO ₃		
Temperature Coefficient	ppm/°C	-20		

Package Dimension



Matching Configuration



L1=L4=120nH, L2=L3=10nH
 Source / Load Impedance = 50Ω
 Ambient Temperature = 25°C

02/06/2006

