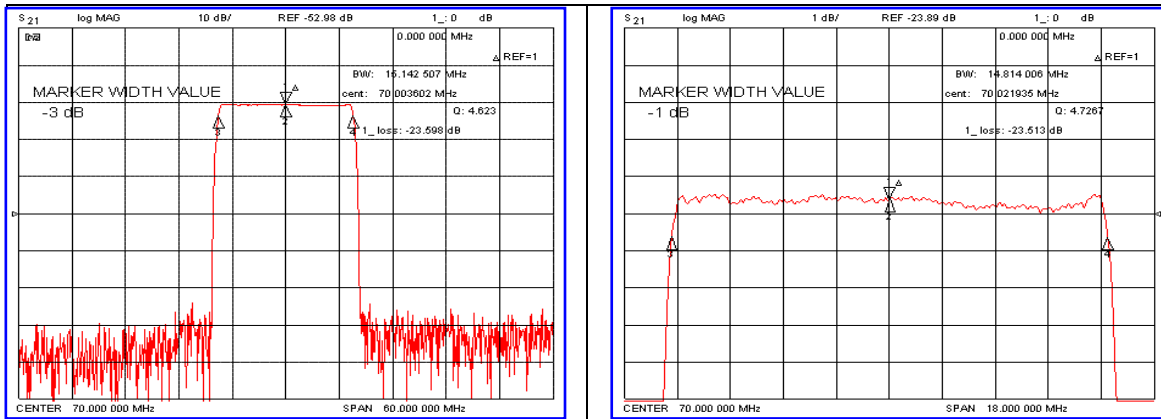


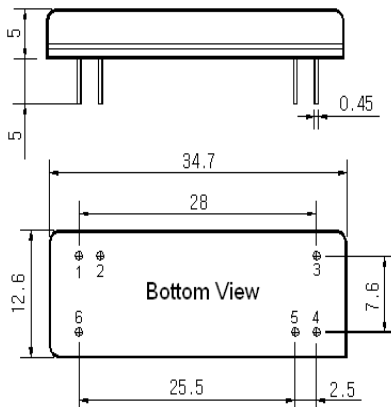
### Typical Performance



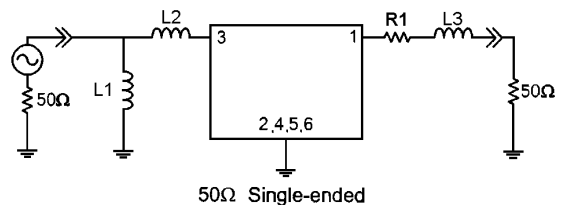
### Specification

Parameter	Unit	Min.	Typ.	Max.
Center Frequency	MHz	69.92	70.00	70.08
Insertion Loss	dB	-	23.50	25.00
1dB Bandwidth	MHz	-	14.81	-
3dB Bandwidth	MHz	15.00	15.14	-
40dB Bandwidth	MHz	-	16.50	16.80
Passband Ripple	dB	-	0.650	1.00
Group Delay Variation	nsec	-	50	100
Absolute Delay	μsec	-	2.34	-
Ultimate Attenuation	dB	50	55	-
Substrate Material	-	128-LiNbO <sub>3</sub>		
Temperature Coefficient	ppm/°C	-72		

### Package Dimension



### Matching Configuration



L1=150nH, L2=100nH, L3=100nH, R1=33 Ω  
 Source / Load Impedance = 50Ω  
 Ambient Temperature = 25°C

