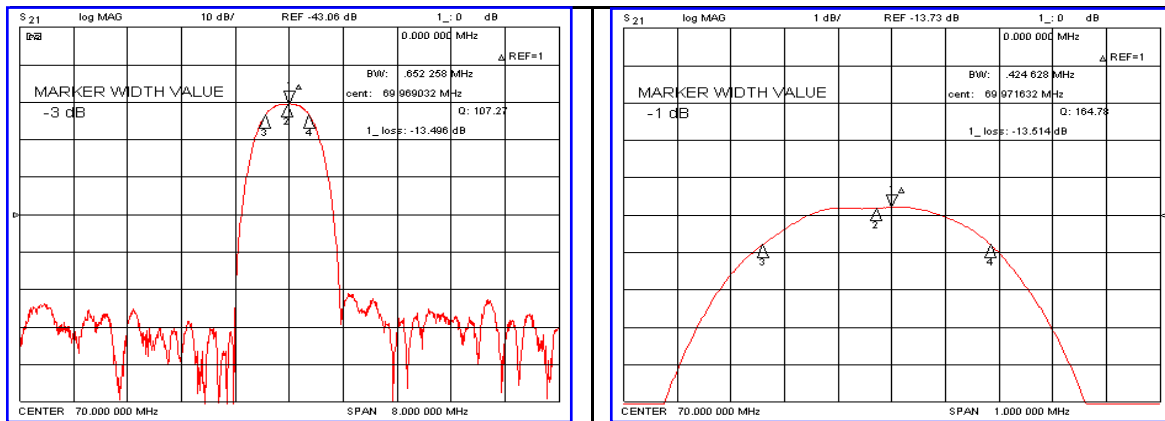


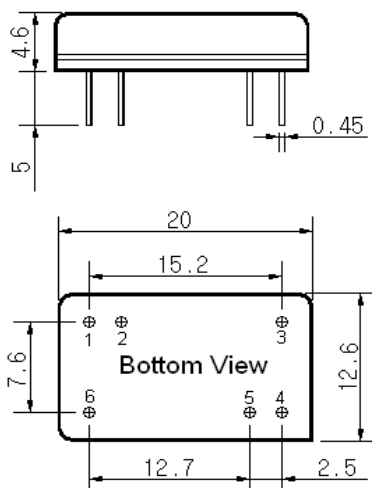
Typical Performance



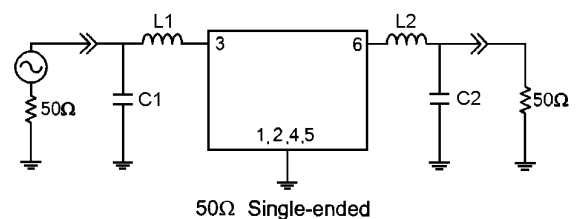
Specification7

Parameter	Unit	Min.	Typ.	Max.
Center Frequency	MHz	69.90	70.00	70.10
Insertion Loss	dB	-	13.50	15.00
1dB Bandwidth	MHz	-	0.42	-
3dB Bandwidth	MHz	0.50	0.65	-
40dB Bandwidth	MHz	-	1.50	1.80
Passband Ripple	dB	-	0.6	1.00
Absolute Delay	μsec	-	3.15	-
Ultimate Attenuation	dB	48	53	-
Substrate Material	-	Quartz		
Temperature Coefficient	ppm/°C	-0.03		

Package Dimension



Matching Configuration



L1=270nH, L2=330nH, C1=82pF, C2=33pF
 Source / Load Impedance = 50Ω
 Ambient Temperature = 25°C

10/30/2006

