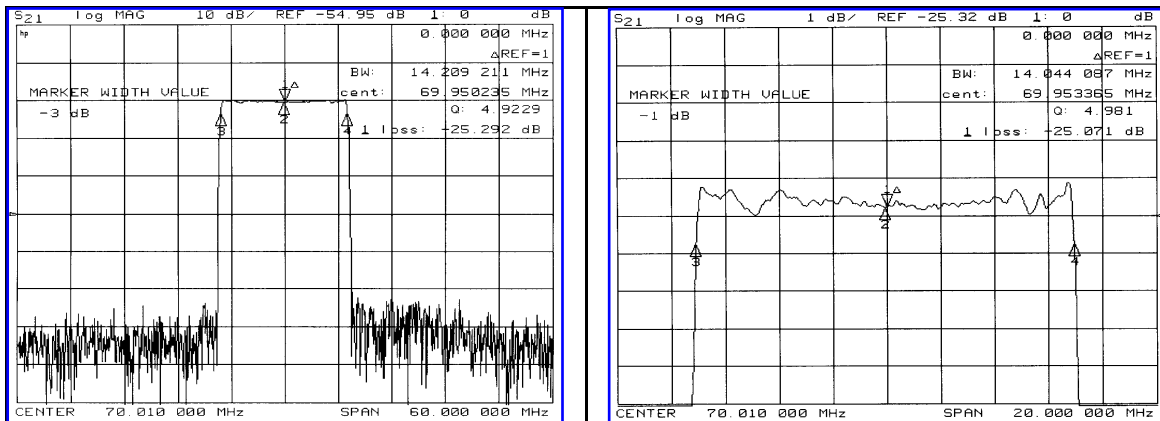


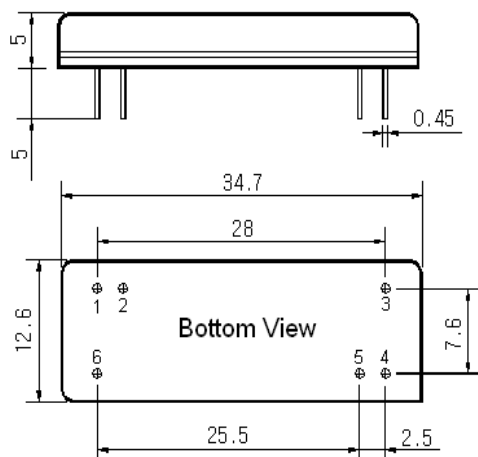
### Typical Performance



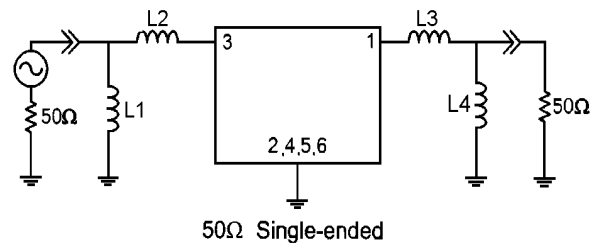
### Specification

| Parameter                     | Unit   | Min.                   | Typ.  | Max.  |
|-------------------------------|--------|------------------------|-------|-------|
| Center Frequency (Fc)         | MHz    | -                      | 70.01 | -     |
| Insertion Loss                | dB     | -                      | 26.00 | 27.50 |
| 1dB Bandwidth                 | MHz    | -                      | 14.04 | -     |
| 3dB Bandwidth                 | MHz    | -                      | 14.20 | -     |
| 40dB Bandwidth                | MHz    | -                      | 14.97 | 15.10 |
| Passband Ripple (Fc±6.765MHz) | dB     | -                      | 0.86  | 1.50  |
| Group Delay Variation         | nsec   | -                      | 95    | 150   |
| Absolute Delay                | µsec   | -                      | 3.76  | -     |
| Ultimate Attenuation          | dB     | 50                     | 53    | -     |
| Substrate Material            | -      | 128-LiNbO <sub>3</sub> |       |       |
| Temperature Coefficient       | ppm/°C | -72                    |       |       |

### Package Dimension



### Matching Configuration



L1=L4=390nH, L2=L3=33nH  
 Source / Load Impedance = 50Ω  
 Ambient Temperature = 25°C

04/06/2006

