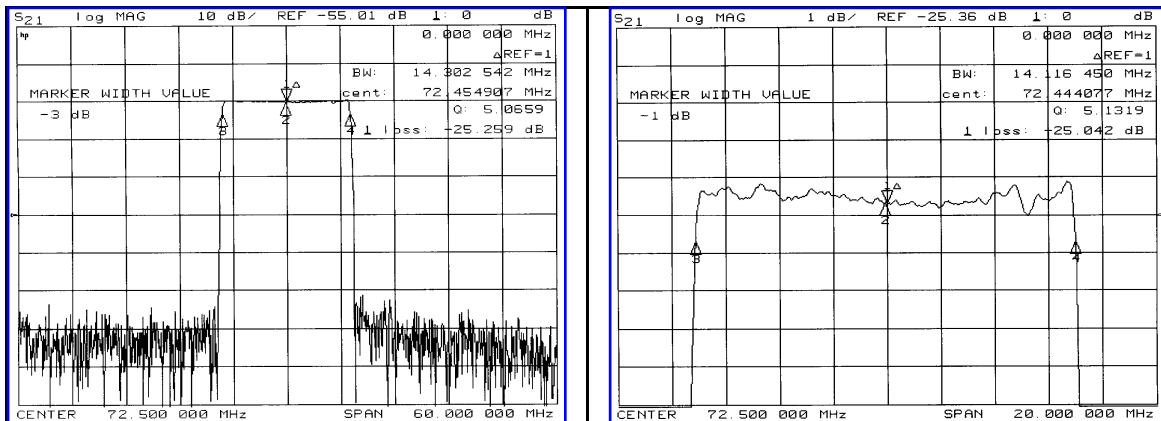


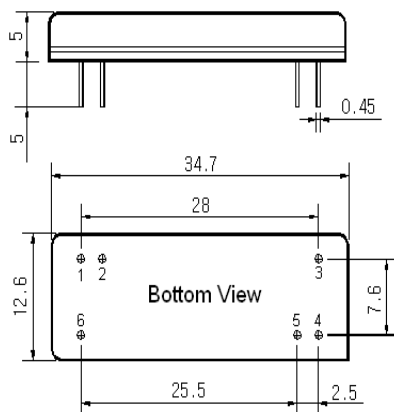
Typical Performance



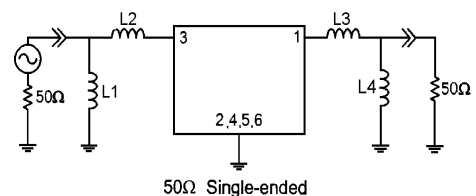
Specification

Parameter	Unit	Min.	Typ.	Max.
Center Frequency (Fc)	MHz	-	72.50	-
Insertion Loss	dB	-	26.00	27.50
1dB Bandwidth	MHz	-	14.11	-
3dB Bandwidth	MHz	-	14.30	-
40dB Bandwidth	MHz	-	15.09	15.19
Passband Ripple (Fc±6.865MHz)	dB	-	0.90	1.50
Group Delay Variation	nsec	-	95	150
Absolute Delay	µsec	-	3.62	-
Ultimate Attenuation	dB	50	53	-
Substrate Material	-	128-LiNbO ₃		
Temperature Coefficient	ppm/°C	-72		

Package Dimension



Matching Configuration



L1=L4=390nH, L2=L3=27nH
 Source / Load Impedance = 50Ω
 Ambient Temperature = 25°C

04/06/2006

