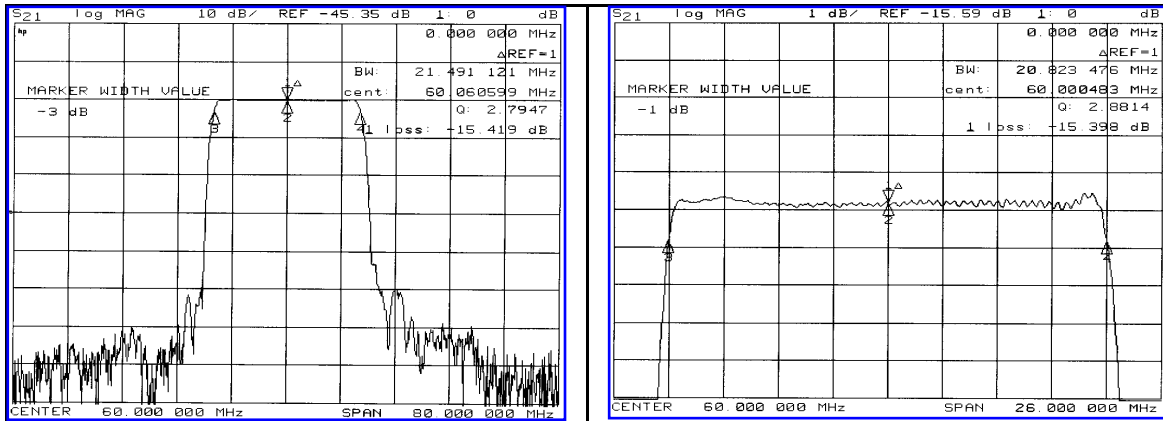


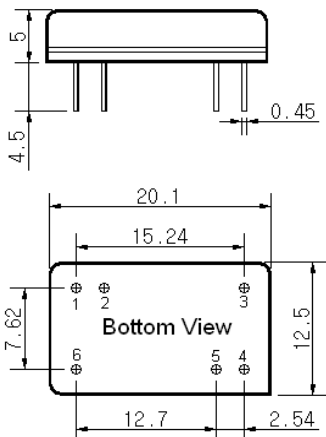
Typical Performance



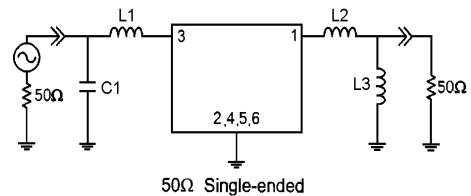
Specification

Parameter	Unit	Min.	Typ.	Max.
Center Frequency (Fc)	MHz	-	60.00	-
Insertion Loss	dB	-	16.00	18.00
1dB Bandwidth	MHz	-	20.82	-
3dB Bandwidth	MHz	20.00	21.49	-
40dB Bandwidth	MHz	-	24.54	25.00
Passband Ripple (Fc±9.22MHz)	dB	-	0.45	1.00
Group Delay Variation (Fc±9.22MHz)	nsec	-	50	100
Absolute Delay	µsec	-	1.23	-
Ultimate Attenuation	dB	40	50	-
Substrate Material	-	YZ-LiNbO ₃		
Temperature Coefficient	ppm/°C	-86		

Package Dimension



Matching Configuration



L1=150nH, L2=100nH, L3=180nH, C1=62pF
 Source / Load Impedance = 50Ω
 Ambient Temperature = 25°C

04/27/2006

