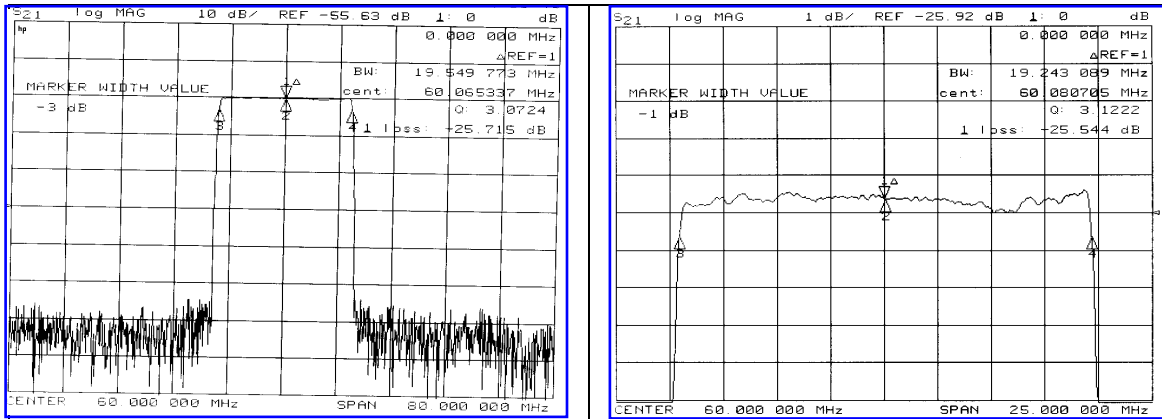


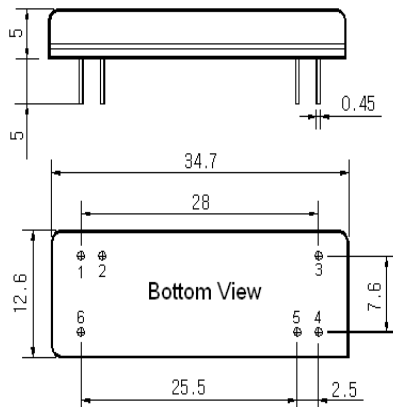
Typical Performance



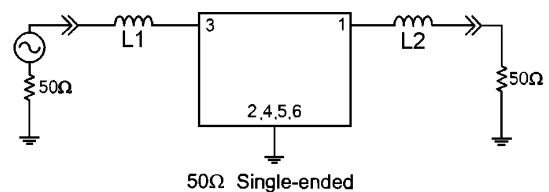
Specification

Parameter	Unit	Min.	Typ.	Max.
Center Frequency	MHz	59.90	60.00	60.10
Insertion Loss	dB	-	25.70	27.00
1dB Bandwidth	MHz	-	19.23	-
3dB Bandwidth	MHz	19.40	19.54	-
30dB Bandwidth	MHz	-	20.63	-
40dB Bandwidth	MHz	-	20.78	21.00
Passband Ripple	dB	-	0.55	1.00
Group Delay Variation	nsec	-	40	80
Absolute Delay	μsec	-	2.46	-
Ultimate Attenuation	dB	50	55	-
Substrate Material	-	128-LiNbO <sub>3</sub>		
Temperature Coefficient	ppm/°C <sup>2</sup>	-72		

Package Dimension



Matching Configuration



L1=270nH, L2=150nH  
Source / Load Impedance = 50Ω  
Ambient Temperature = 25°C

06/19/2006

