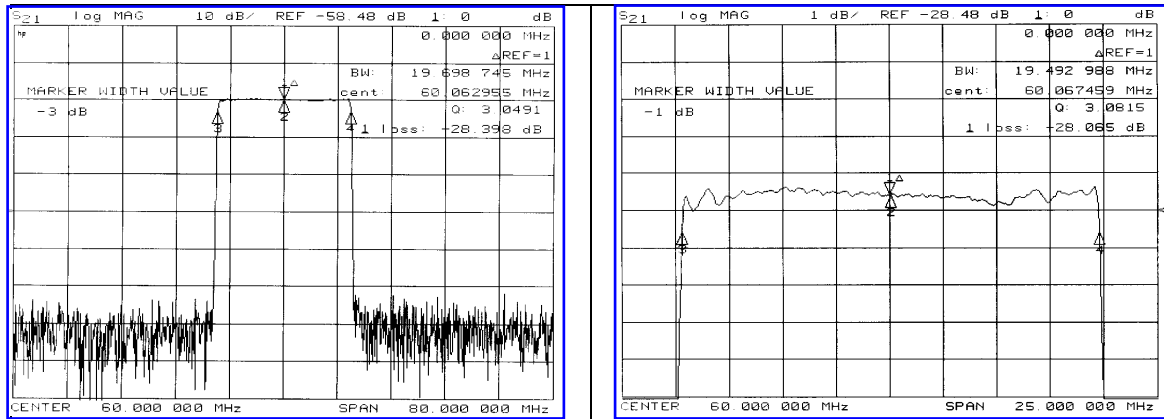


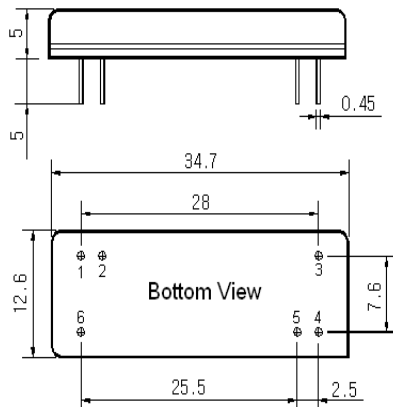
Typical Performance



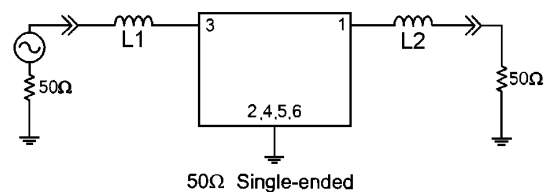
Specification

Parameter	Unit	Min.	Typ.	Max.
Center Frequency	MHz	59.90	60.00	60.10
Insertion Loss	dB	-	28.40	30.00
1dB Bandwidth	MHz	-	19.49	-
3dB Bandwidth	MHz	19.60	19.69	-
30dB Bandwidth	MHz	-	20.47	-
40dB Bandwidth	MHz	-	20.57	20.80
Passband Ripple	dB	-	0.65	1.00
Group Delay Variation	nsec	-	60	100
Absolute Delay	μsec	-	3.31	-
Ultimate Attenuation	dB	50	55	-
Substrate Material	-	128-LiNbO <sub>3</sub>		
Temperature Coefficient	ppm/°C <sup>2</sup>	-72		

Package Dimension



Matching Configuration



L1=0.18μH, L2=82nH  
Source / Load Impedance = 50Ω  
Ambient Temperature = 25°C

06/19/2006

