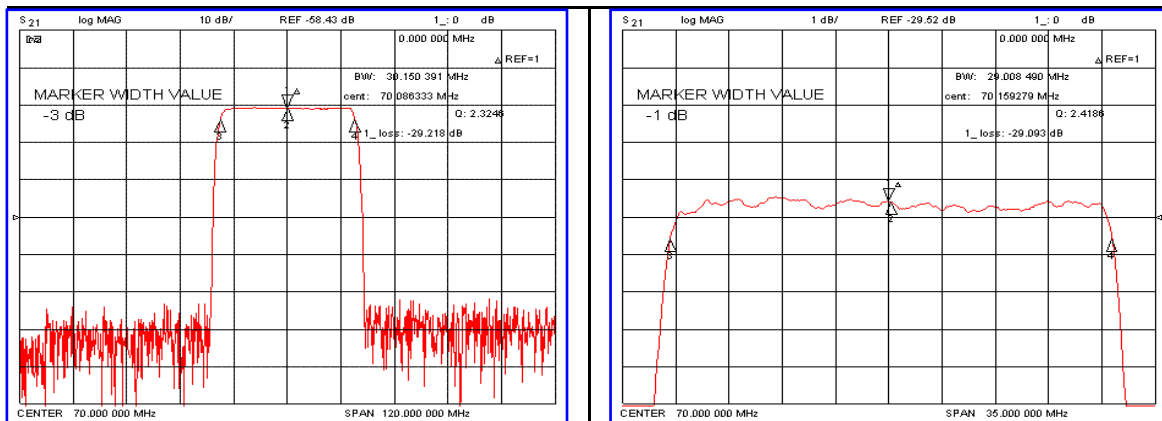


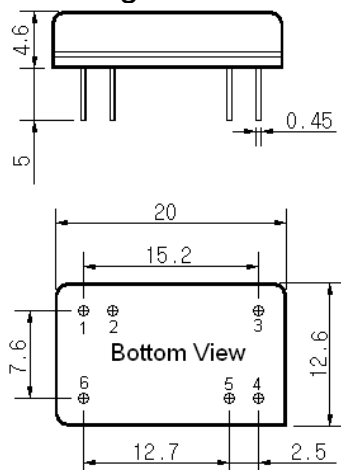
Typical Performance



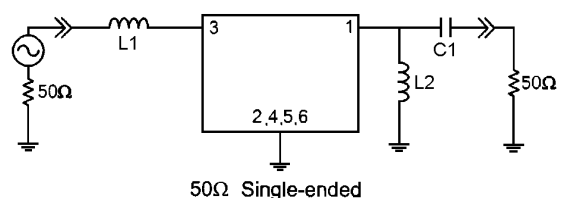
Specification

Parameter	Unit	Min.	Typ.	Max.
Center Frequency (Fc)	MHz	69.92	70.00	70.08
Insertion Loss	dB	-	29.50	30.50
1dB Bandwidth	MHz	-	29.00	-
3dB Bandwidth	MHz	30.00	30.15	-
40dB Bandwidth	MHz	-	33.86	34.00
Passband Ripple	dB	-	0.55	1.00
Group Delay Variation	nsec	-	30	50
Absolute Delay	μsec	-	1.38	-
Ultimate Attenuation	dB	50	55	-
Substrate Material	-	128-LiNbO ₃		
Temperature Coefficient	ppm/°C	-72		

Package Dimension



Matching Configuration



L1= 150nH, L2=150nH, C1=36pF
 Source / Load Impedance = 50Ω
 Ambient Temperature = 25°C

Rev0.070328

