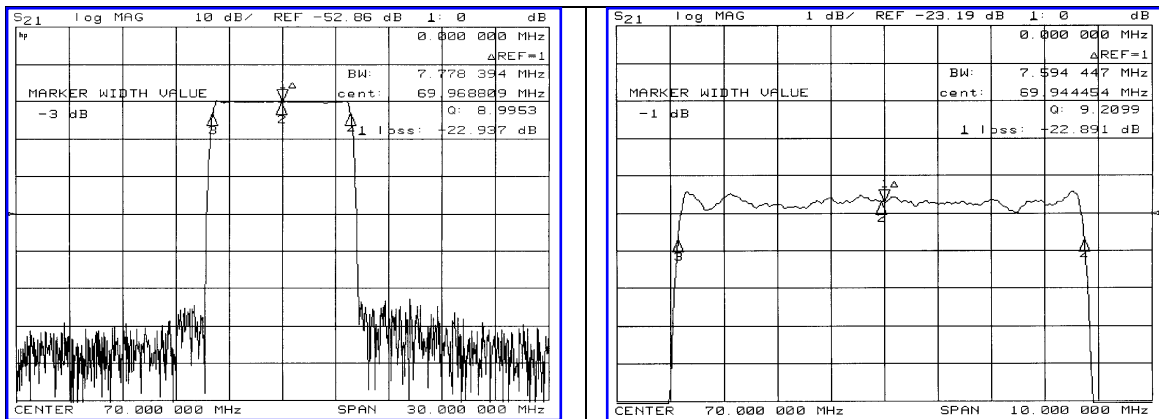


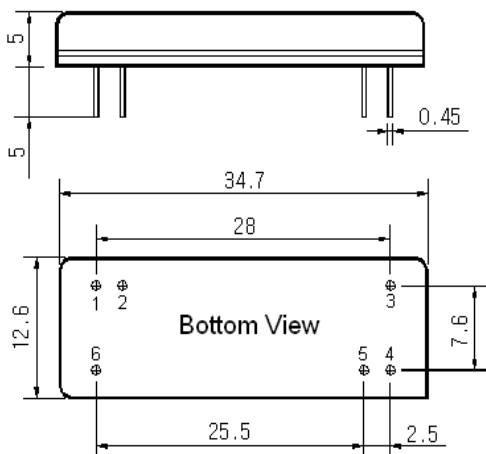
### Typical Performance



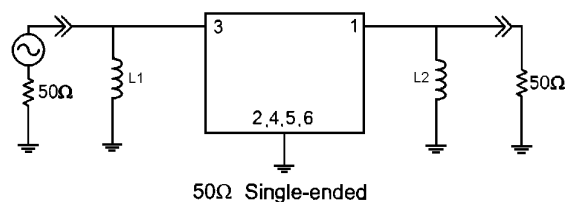
### Specification

Parameter	Unit	Min.	Typ.	Max.
Center Frequency (Fc)	MHz	-	70.00	-
Insertion Loss	dB	-	23.00	24.50
1dB Bandwidth	MHz	-	7.59	-
3dB Bandwidth	MHz	7.70	7.77	-
40dB Bandwidth	MHz	-	8.55	8.65
Passband Ripple (Fc±3.6MHz)	dB	-	0.55	1.00
Group Delay Variation (Fc±3.6MHz)	nsec	-	88	150
Absolute Delay	µsec	-	3.67	-
Ultimate Attenuation	dB	50	55	-
Substrate Material	-	YZ-LiNbO <sub>3</sub>		
Temperature Coefficient	ppm/°C	-94		

### Package Dimension



### Matching Configuration



L1=390nH, L2=390nH  
 Source / Load Impedance = 50Ω  
 Ambient Temperature = 25°C

Rev0. 080103

