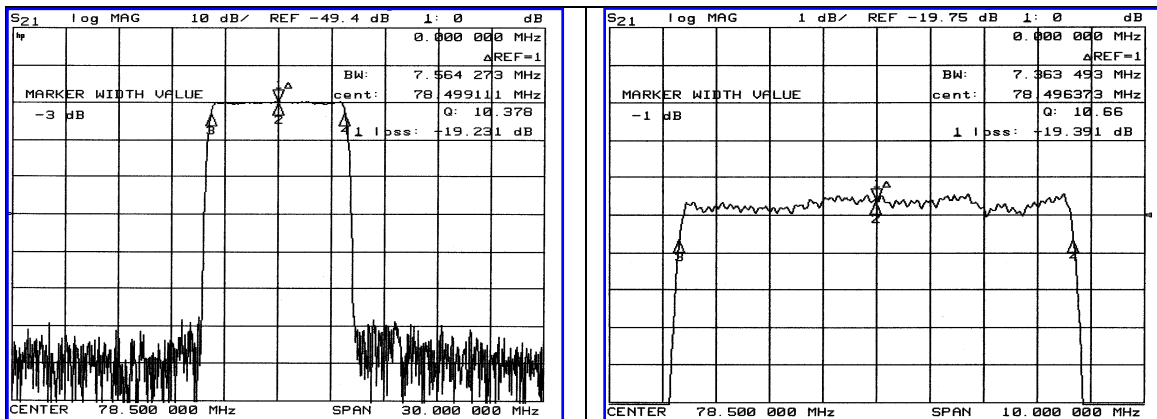


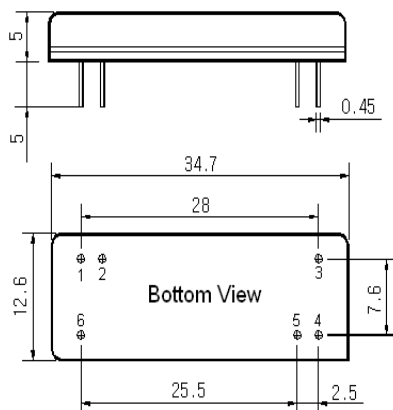
### Typical Performance



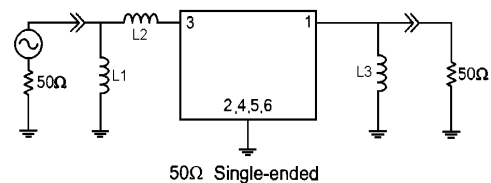
### Specification

Parameter	Unit	Min.	Typ.	Max.
Center Frequency	Mhz	78.42	78.50	78.58
Insertion Loss	dB	-	19.50	22.00
1dB Bandwidth	Mhz	-	7.36	-
3dB Bandwidth	Mhz	7.50	7.56	-
20dB Bandwidth	Mhz	-	8.13	-
45dB Bandwidth	Mhz	-	8.43	-
Passband Ripple	dB	-	0.65	1.00
Group Delay Variation	nsec	-	100	200
Absolute Delay	µsec	-	3.67	-
Ultimate Attenuation	dB	50	60	-
Substrate Material	-	YZ-LiNbO <sub>3</sub>		
Temperature Coefficient	ppm/°C	-94		

### Package Dimension



### Matching Configuration



L1=120nH, L2=22nH, L3=0.22µH  
 Source / Load Impedance = 50Ω  
 Ambient Temperature = 25°C

07/18/2005

