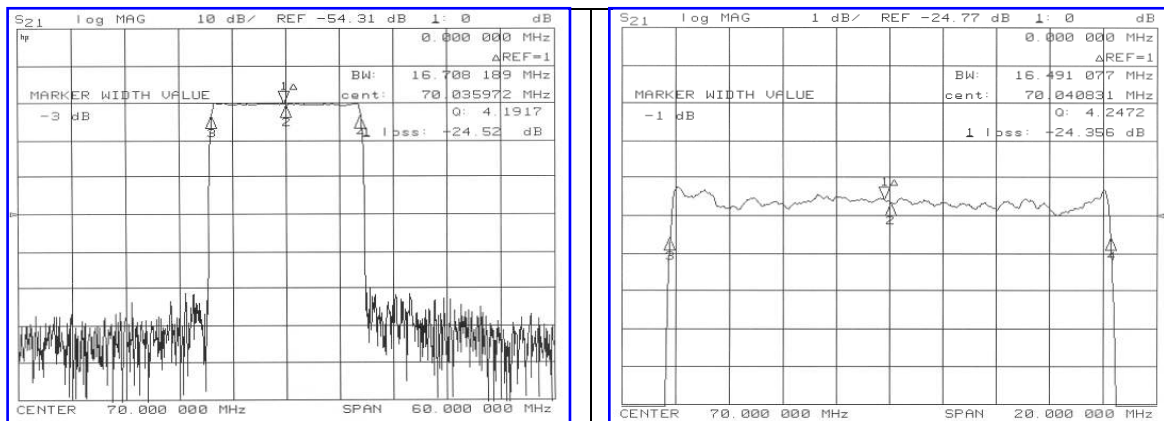


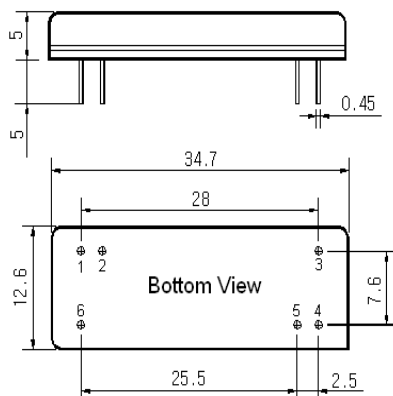
Typical Performance



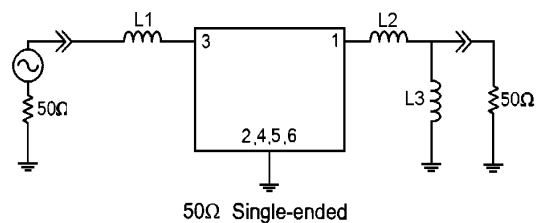
Specification

Parameter	Unit	Min.	Typ.	Max.
Center Frequency	MHz	69.90	70.00	70.10
Insertion Loss	dB	-	24.50	25.50
1dB Bandwidth	MHz	-	16.49	-
3dB Bandwidth	MHz	16.50	16.70	-
20dB Bandwidth	MHz	-	17.36	17.40
40dB Bandwidth	MHz	-	17.65	-
50dB Bandwidth	MHz	-	17.72	-
Passband Ripple	dB	-	0.75	1.00
Group Delay Variation	nsec	-	50	100
Absolute Delay	µsec	-	3.00	-
Ultimate Attenuation	dB	50	55	-
Substrate Material	-	128-LiNbO ₃		
Temperature Coefficient	ppm/°C	-72		

Package Dimension



Matching Configuration



L1=180nH, L2=56nH, L3=180nH
Source / Load Impedance = 50Ω
Ambient Temperature = 25°C

08/08/2006

