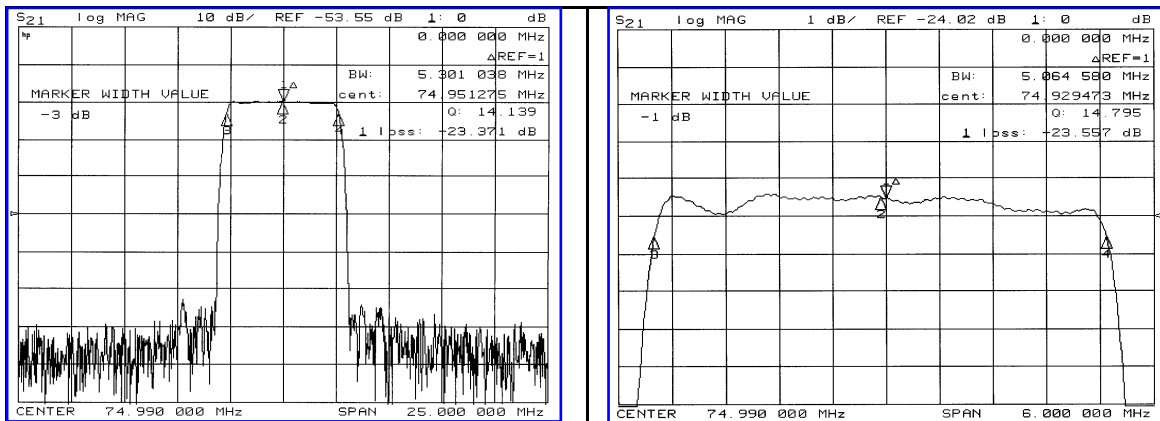


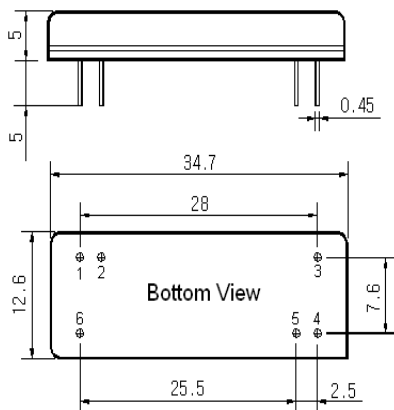
### Typical Performance



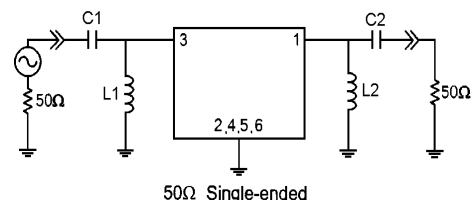
### Specification

Parameter	Unit	Min.	Typ.	Max.
Center Frequency (Fc)	MHz	-	74.99	-
Insertion Loss	dB	-	23.50	25.00
1dB Bandwidth	MHz	-	5.06	-
3dB Bandwidth	MHz	5.20	5.30	-
40dB Bandwidth	MHz	-	6.17	6.30
Passband Ripple (Fc±2.365MHz)	dB	-	0.60	1.50
Group Delay Variation	nsec	-	68	150
Absolute Delay	µsec	-	4.76	-
Ultimate Attenuation	dB	50	53	-
Substrate Material	-	LiTaO <sub>3</sub>		
Temperature Coefficient	ppm/°C	-20		

### Package Dimension



### Matching Configuration



L1=L2=68nH, C1=33pF, C2=43pF  
 Source / Load Impedance = 50Ω  
 Ambient Temperature = 25°C

07/19/2006

