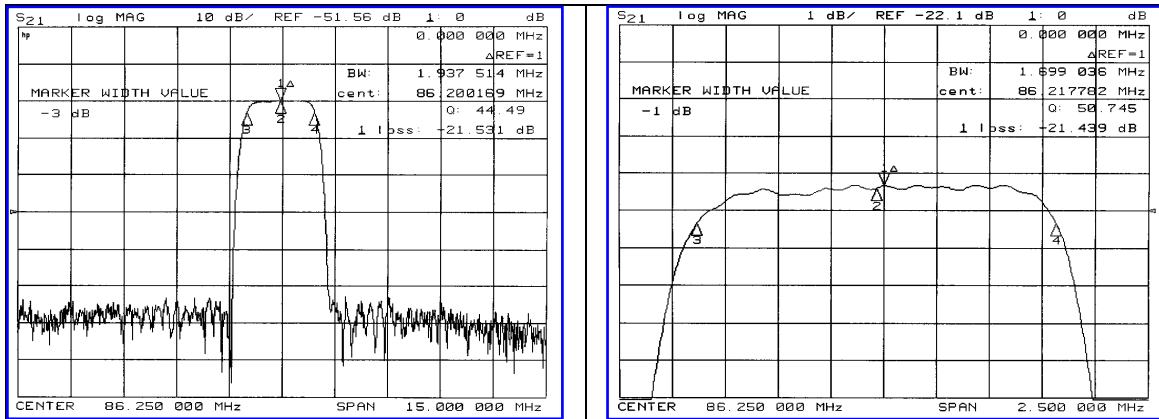


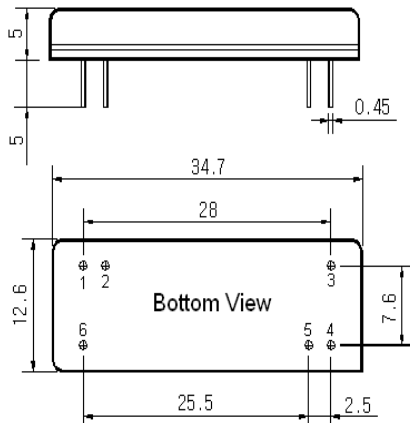
## Typical Performance



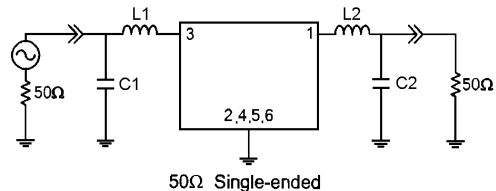
## Specification

Parameter	Unit	Min.	Typ.	Max.
Center Frequency	MHz	86.17	86.25	86.33
Insertion Loss	dB	-	22.00	24.00
1dB Bandwidth	MHz	-	1.70	-
3dB Bandwidth	MHz	1.80	1.94	-
50dB Bandwidth	MHz	-	2.72	3.00
Passband Ripple	dB	-	0.55	1.00
Group Delay Variation	nsec	-	120	200
Absolute Delay	µsec	-	3.51	-
Ultimate Attenuation	dB	50	55	
Substrate Material	-	Quartz		
Temperature Coefficient	ppm/°C <sup>2</sup>	-0.03		

## Package Dimension



## Matching Configuration



L1=150nH, L2=220nH, C1=62pF, L2=43pF  
 Source / Load Impedance = 50Ω  
 Ambient Temperature = 25°C

03/01/2006

