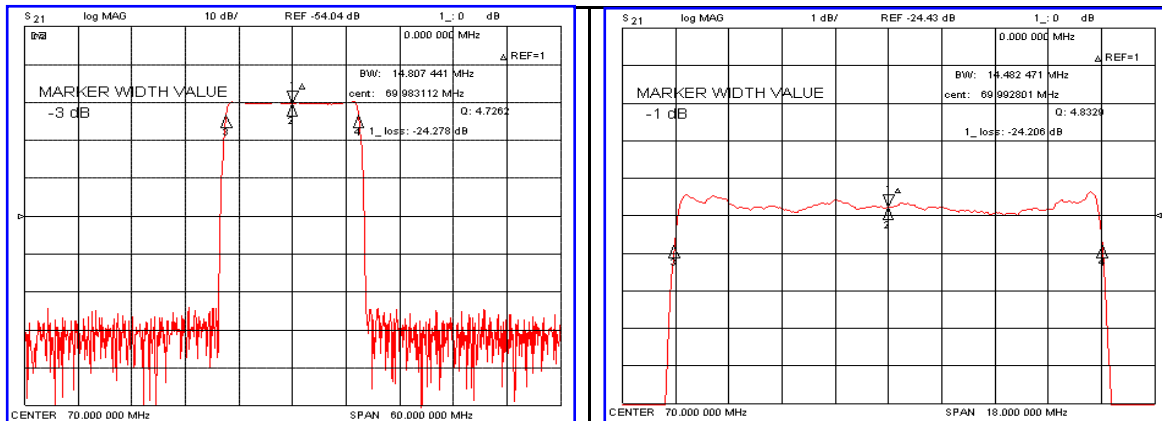


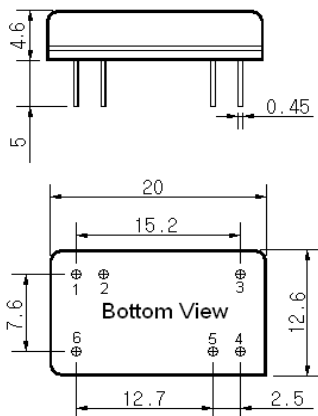
Typical Performance



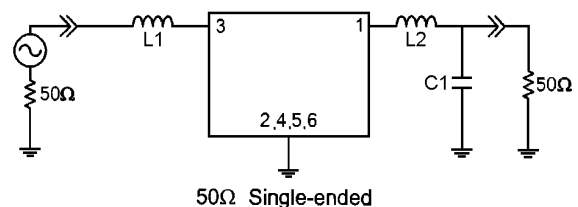
Specification

Parameter	Unit	Min.	Typ.	Max.
Center Frequency (Fc)	MHz	69.92	70.00	70.08
Insertion Loss	dB	-	24.5	26.00
1dB Bandwidth	MHz	-	14.47	-
3dB Bandwidth	MHz	14.60	14.80	-
40dB Bandwidth	MHz	-	16.26	16.50
Passband Ripple	dB	-	0.55	1.0
Group Delay Variation	nsec	-	40	90
Absolute Delay	µsec	-	2.21	-
Ultimate Attenuation	dB	50	55	-
Substrate Material	-	128-LiNbO ₃		
Temperature Coefficient	ppm/°C	-72		

Package Dimension



Matching Configuration



L1=180nH, L2=82nH, C1=18pF
 Source / Load Impedance = 50Ω
 Ambient Temperature = 25°C

08/11/2006

