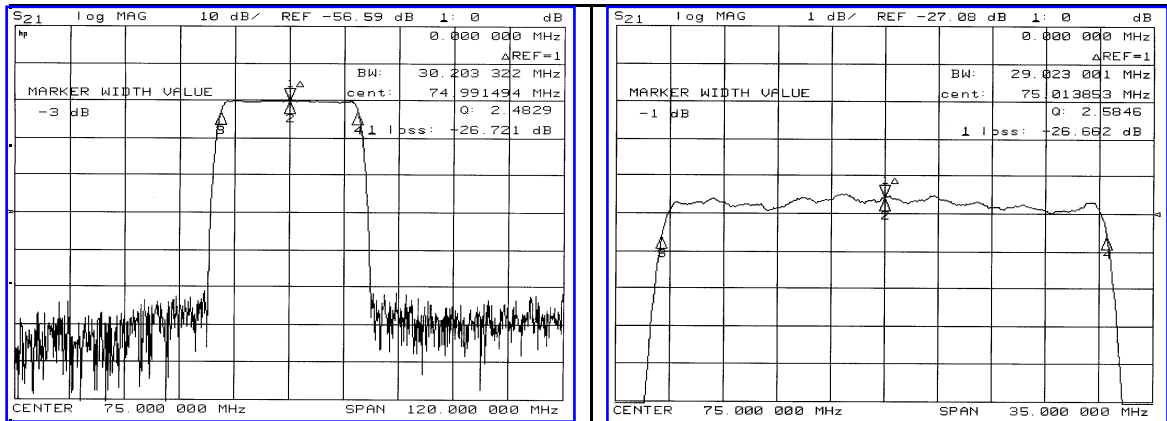


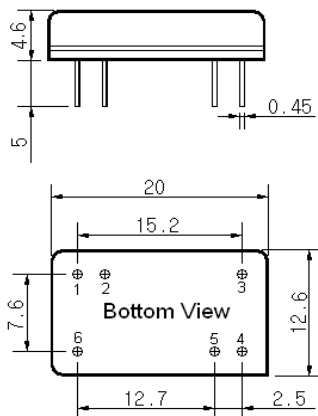
Typical Performance



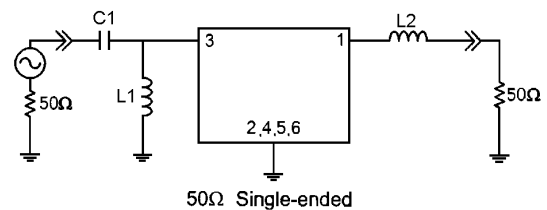
Specification

Parameter	Unit	Min.	Typ.	Max.
Center Frequency	MHz	74.92	75.00	75.08
Insertion Loss	dB	-	26.70	-
1dB Bandwidth	MHz	-	29.02	-
3dB Bandwidth	MHz	-	30.20	-
40dB Bandwidth	MHz	-	35.15	35.40
Passband Ripple	dB	-	0.50	1.00
Group Delay Variation	nsec	-	20	50
Absolute Delay	µsec	-	0.97	-
Ultimate Attenuation	dB	-	50	-
Operating Temp. Range	°C	-20	+25	+70
Substrate Material	-	128-LiNbO ₃		
Temperature Coefficient	ppm/°C	-72		

Package Dimension



Matching Configuration



L1=150nH, L2=180nH, C1=36pF
Source / Load Impedance = 50Ω
Ambient Temperature = 25°C

07/05/2006

