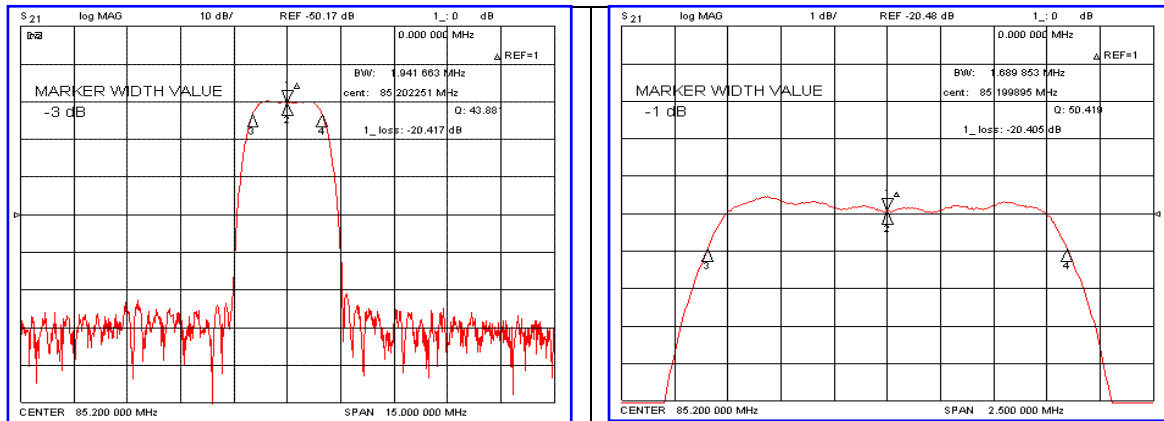


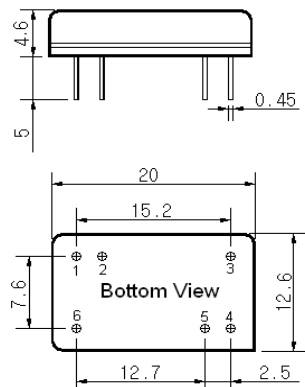
Typical Performance



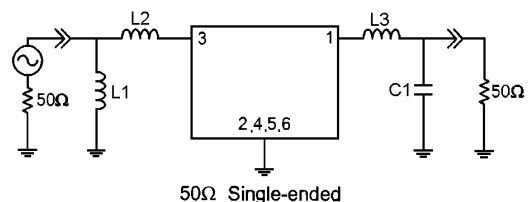
Specification

Parameter	Unit	Min.	Typ.	Max.
Center Frequency	MHz	85.12	85.20	85.28
Insertion Loss	dB	-	20.00	22.00
1dB Bandwidth	MHz	-	1.69	-
3dB Bandwidth	MHz	1.80	1.94	-
20dB Bandwidth	MHz	-	2.64	-
40dB Bandwidth	MHz	-	2.98	3.20
Passband Ripple	dB	-	0.55	1.00
Group Delay Variation	nsec	-	120	250
Absolute Delay	μsec	-	2.28	-
Ultimate Attenuation	dB	48	53	-
Substrate Material	-	Quartz		
Temperature Coefficient	ppm/°C	-0.03		

Package Dimension



Matching Configuration



L1=82nH, L2=180nH, L3=270nH, C1=33pF
 Source / Load Impedance = 50Ω
 Ambient Temperature = 25°C

08/28/2006

