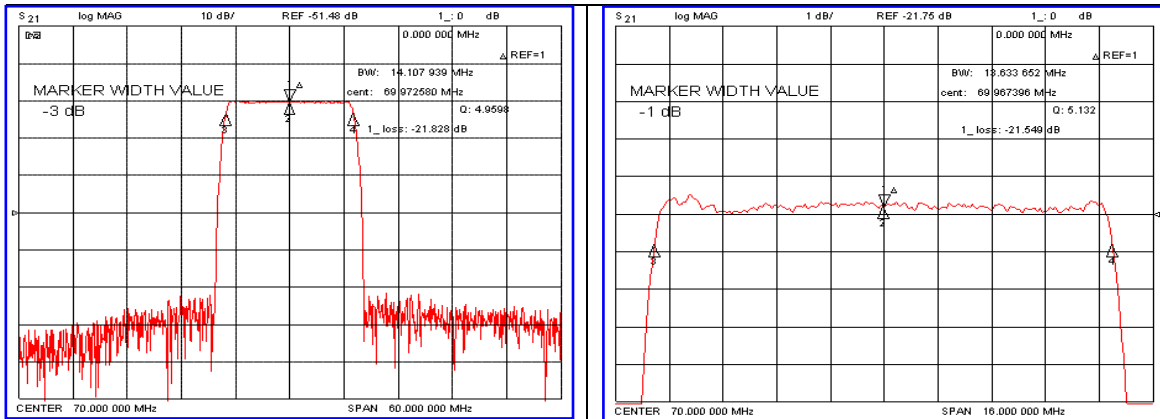


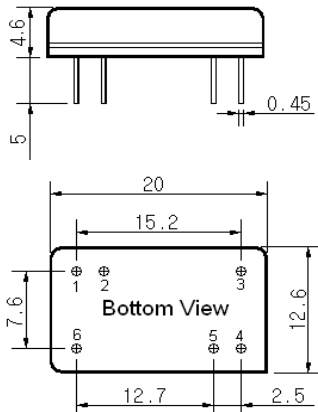
Typical Performance



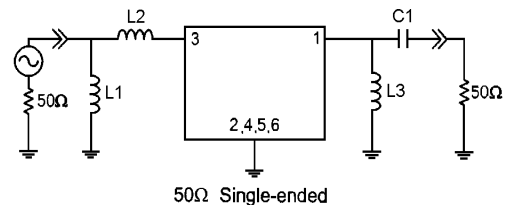
Specification

Parameter	Unit	Min.	Typ.	Max.
Center Frequency	Mhz	69.90	70.00	70.10
Insertion Loss	dB	-	21.80	24.00
1dB Bandwidth	Mhz	-	13.63	-
3dB Bandwidth	Mhz	13.90	14.10	-
40dB Bandwidth	Mhz	-	16.22	16.50
50dB Bandwidth	Mhz	-	16.38	-
Passband Ripple	dB	-	0.55	1.00
Group Delay Variation	nsec	-	55	100
Absolute Delay	µsec	-	2.2	-
Ultimate Attenuation	dB	50	55	-
Substrate Material	-	128-LiNbO ₃		
Temperature Coefficient	ppm/°C	-72		

Package Dimension



Matching Configuration



L1=150nH, L2=100nH, L3=150nH, C1=43pF
Source / Load Impedance = 50Ω
Ambient Temperature = 25°C

09/08/2006

