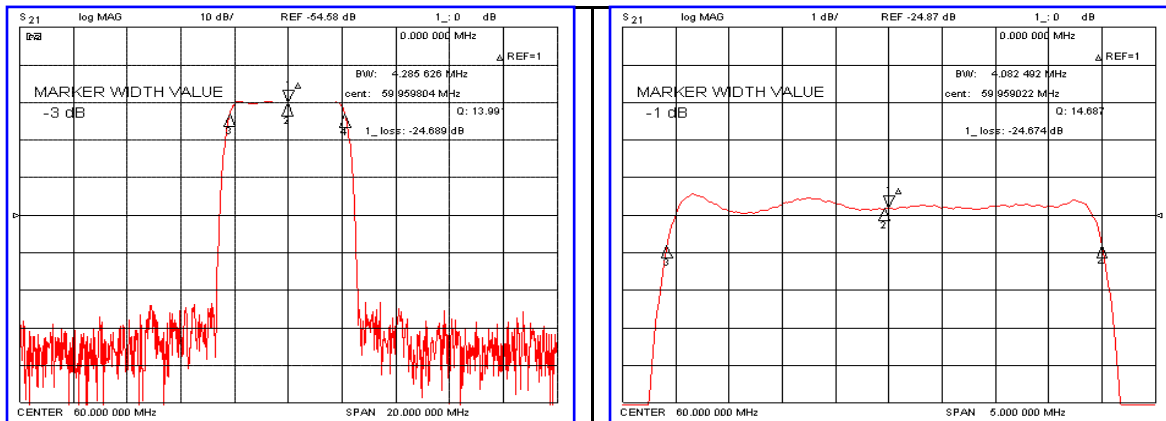


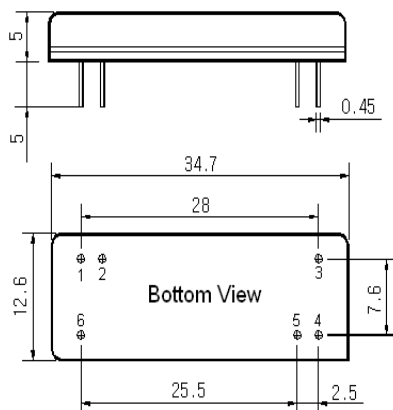
### Typical Performance



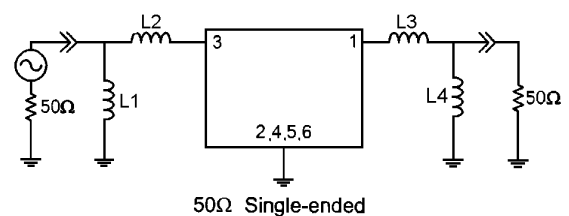
### Specification

Parameter	Unit	Min.	Typ.	Max.
Center Frequency	MHz	59.92	60.00	60.08
Insertion Loss	dB	-	24.60	26.00
1dB Bandwidth	MHz	-	4.08	-
3dB Bandwidth	MHz	4.20	4.28	-
40dB Bandwidth	MHz	-	5.15	5.30
Passband Ripple	dB	-	0.55	1.00
Group Delay Variation	nsec	-	70	150
Absolute Delay	μsec	-	4.61	-
Ultimate Attenuation	dB	50	55	-
Substrate Material	-	LiTaO <sub>3</sub>		
Temperature Coefficient	ppm/°C	-20		

### Package Dimension



### Matching Configuration



L1=L4=150nH, L2=82nH, L3=56nH  
 Source / Load Impedance = 50Ω  
 Ambient Temperature = 25°C

08/17/2006

