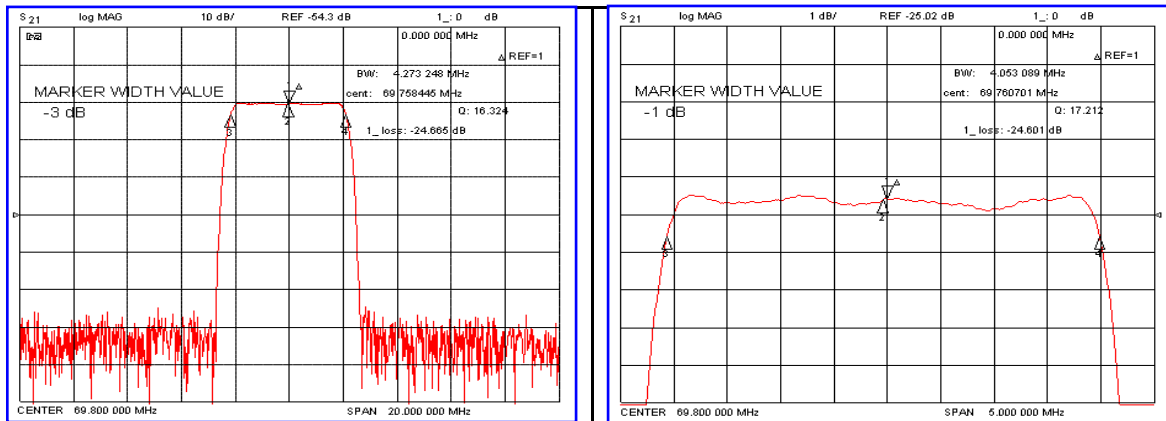


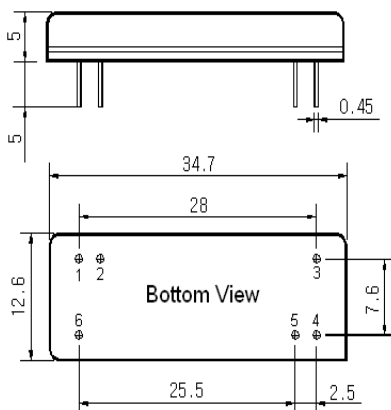
Typical Performance



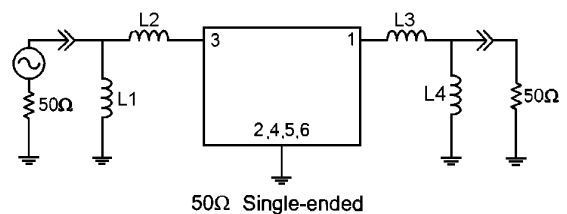
Specification

Parameter	Unit	Min.	Typ.	Max.
Center Frequency	MHz	69.72	69.80	69.88
Insertion Loss	dB	-	24.60	26.00
1dB Bandwidth	MHz	-	4.05	-
3dB Bandwidth	MHz	4.20	4.27	-
40dB Bandwidth	MHz	-	5.16	5.30
Passband Ripple	dB	-	0.55	1.00
Group Delay Variation	nsec	-	70	150
Absolute Delay	μsec	-	4.40	-
Ultimate Attenuation	dB	50	55	-
Substrate Material	-	LiTaO <sub>3</sub>		
Temperature Coefficient	ppm/°C	-20		

Package Dimension



Matching Configuration



L1=L4=150nH, L2=56nH, L3=47nH  
Source / Load Impedance = 50Ω  
Ambient Temperature = 25°C

08/17/2006

