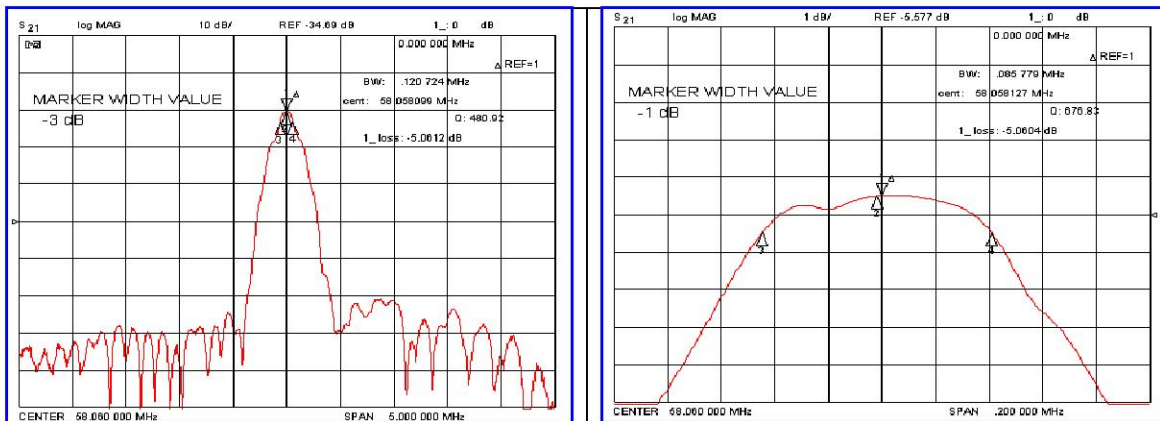


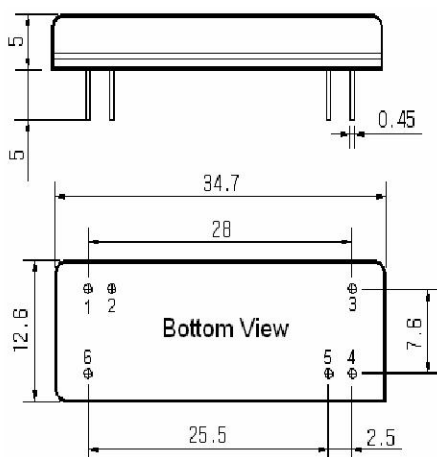
## Typical Performance



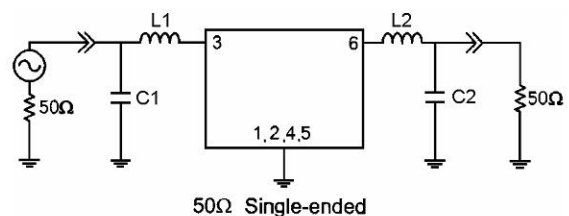
## Specification

Parameter	Unit	Min.	Typ.	Max.
Center Frequency	MHz	57.90	58.00	58.10
Insertion Loss	dB	-	5.00	8.00
1dB Bandwidth	MHz	-	0.085	-
3dB Bandwidth	MHz	0.10	0.12	-
30dB Bandwidth	MHz	-	0.57	0.80
Passband Ripple	dB	-	0.45	1.00
Absolute Delay	μsec	-	4.74	-
Ultimate Attenuation(Fc±1.0MHz)	dB	45	50	
Substrate Material	-	Quartz		
Temperature Coefficient	ppm/°C <sup>2</sup>	-0.03		

## Package Dimension



## Matching Configuration



L1=270nH, L2=240nH, C1=C2=82pF  
 Source / Load Impedance = 50Ω  
 Ambient Temperature = 25°C

08/29/2006

