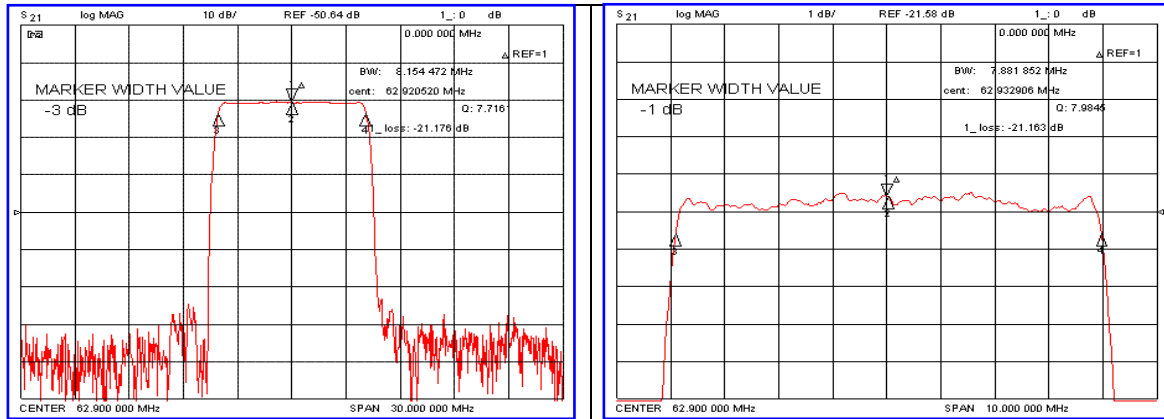


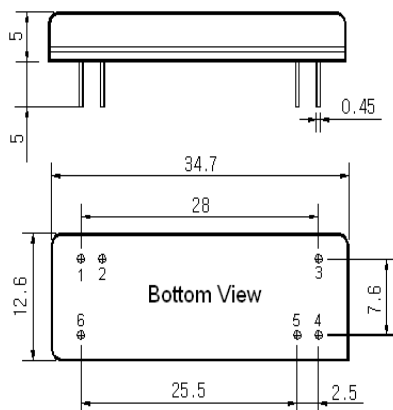
Typical Performance



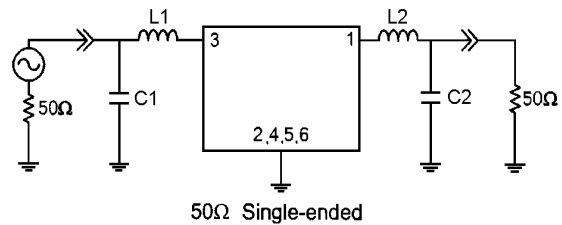
Specification

Parameter	Unit	Min.	Typ.	Max.
Center Frequency (Fc)	MHz	62.82	62.90	62.98
Insertion Loss	dB	-	21.20	24.00
1dB Bandwidth	MHz	7.60	7.88	-
3dB Bandwidth	MHz	8.00	8.15	-
40dB Bandwidth	MHz	-	9.21	9.40
Passband Ripple	dB	-	0.55	1.00
Group Delay Variation	nsec	-	80	150
Absolute Delay	µsec	-	2.98	-
Ultimate Attenuation	dB	50	55	-
Substrate Material	-	128-LiNbO ₃		
Temperature Coefficient	ppm/°C	-72		

Package Dimension



Matching Configuration



L1= L2=82nH, C1=C2=16pF
 Source / Load Impedance = 50Ω
 Ambient Temperature = 25°C

09/21/2006

