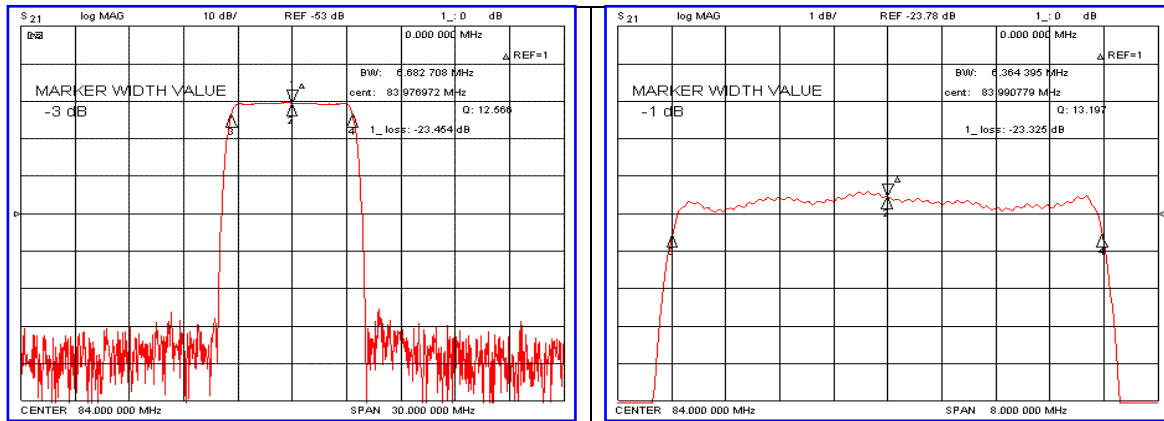


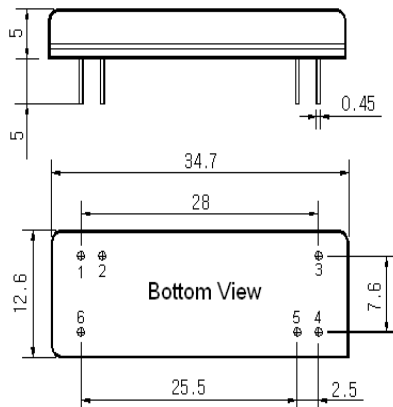
Typical Performance



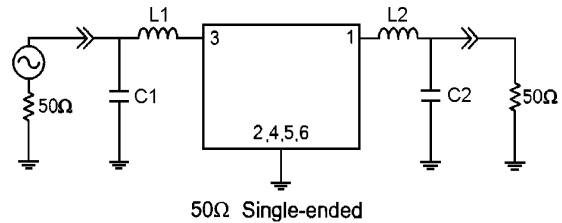
Specification

Parameter	Unit	Min.	Typ.	Max.
Center Frequency (Fc)	MHz	83.90	84.00	84.10
Insertion Loss	dB	-	23.50	25.00
1dB Bandwidth	MHz	6.20	6.36	-
3dB Bandwidth	MHz	6.50	6.68	-
40dB Bandwidth	MHz	-	7.91	8.10
Passband Ripple	dB	-	0.65	1.00
Group Delay Variation	nsec	-	65	150
Absolute Delay	µsec	-	3.42	-
Ultimate Attenuation	dB	50	55	-
Substrate Material	-	128-LiNbO ₃		
Temperature Coefficient	ppm/°C	-20		

Package Dimension



Matching Configuration



L1=120nH, L2=150nH, C1=82pF, C2=47pF
 Source / Load Impedance = 50Ω
 Ambient Temperature = 25°C

09/21/2006

