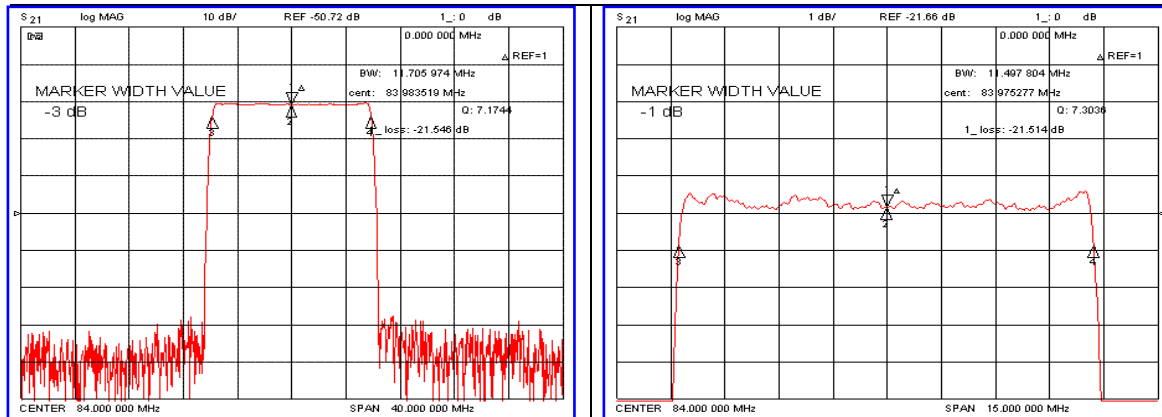


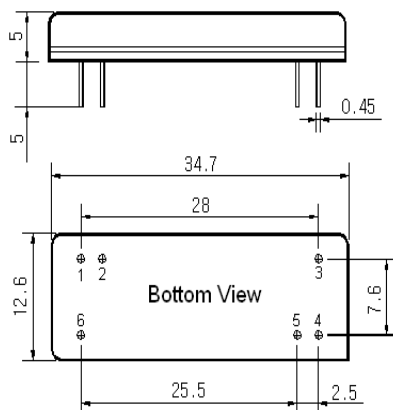
Typical Performance



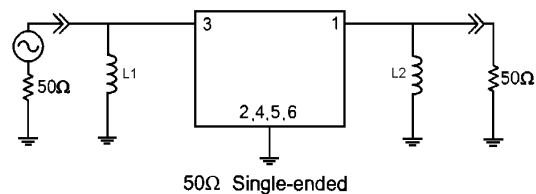
Specification

Parameter	Unit	Min.	Typ.	Max.
Center Frequency (Fc)	MHz	83.90	84.00	84.10
Insertion Loss	dB	-	21.50	24.00
1dB Bandwidth	MHz	11.20	11.49	-
3dB Bandwidth	MHz	11.50	11.70	-
40dB Bandwidth	MHz	-	12.65	12.80
Passband Ripple	dB	-	0.55	1.00
Group Delay Variation	nsec	-	70	150
Absolute Delay	µsec	-	3.06	-
Ultimate Attenuation	dB	50	55	-
Substrate Material	-	128-LiNbO ₃		
Temperature Coefficient	ppm/°C	-72		

Package Dimension



Matching Configuration



L1=270nH, L2=270nH,
 Source / Load Impedance = 50Ω
 Ambient Temperature = 25°C

09/21/2006

