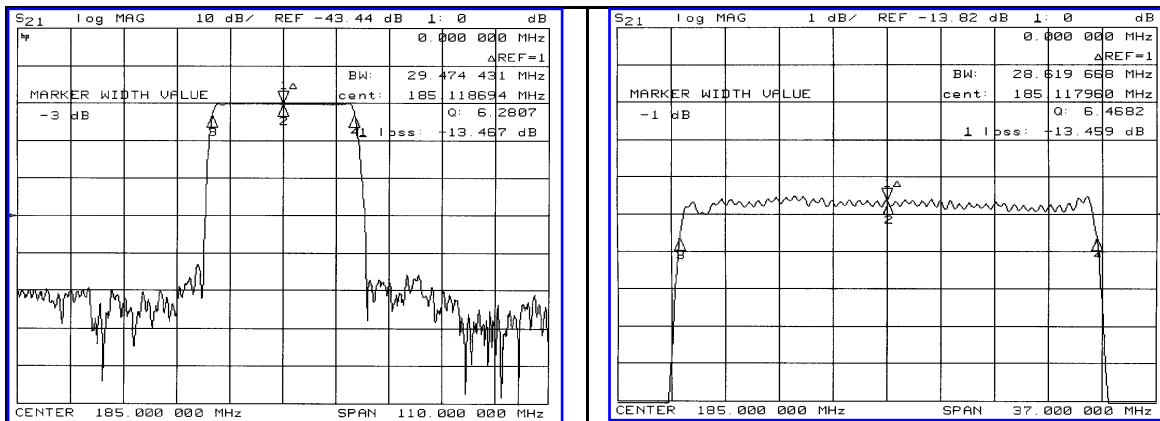


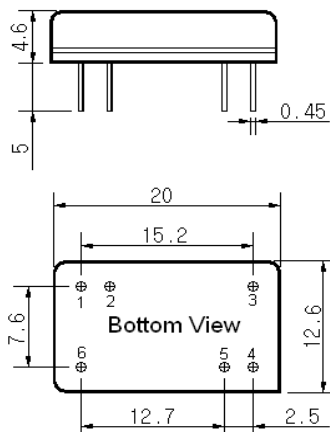
Typical Performance



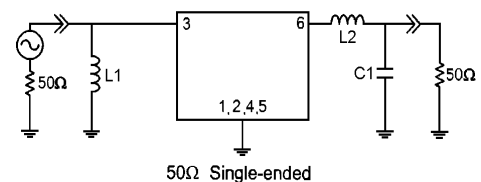
Specification

Parameter	Unit	Min.	Typ.	Max.
Center Frequency (Fc)	MHz	-	185.00	-
Insertion Loss	dB	-	14.00	16.00
1dB Bandwidth	MHz	-	28.61	-
3dB Bandwidth	MHz	29.00	29.47	-
40dB Bandwidth	MHz	-	33.64	34.00
Passband Ripple (Fc±12.50MHz)	dB	-	0.55	1.00
Group Delay Variation (Fc±12.50MHz)	nsec	-	30	80
Absolute Delay	µsec	-	0.80	-
Ultimate Attenuation	dB	40	45	-
Substrate Material	-	YZ-LiNbO ₃		
Temperature Coefficient	ppm/°C	-86		

Package Dimension



Matching Configuration



L1=33nH, L2=47nH, C1=16pF
 Source / Load Impedance = 50Ω
 Ambient Temperature = 25°C

03/21/2006

