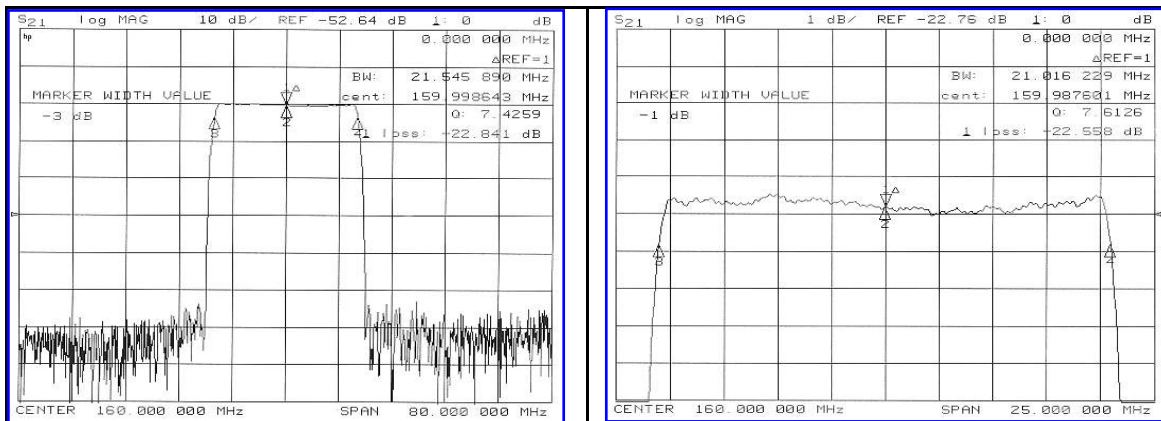


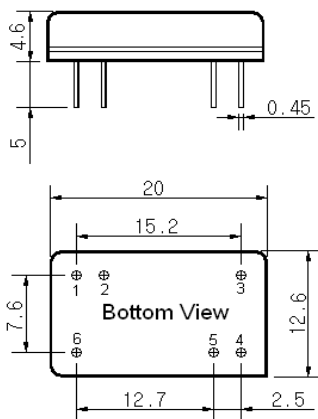
### Typical Performance



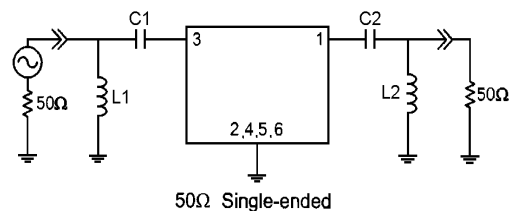
### Specification

Parameter	Unit	Min.	Typ.	Max.
Center Frequency (Fc)	MHz	-	160.00	-
Insertion Loss	dB	-	23.00	24.50
1dB Bandwidth	MHz	-	21.01	-
3dB Bandwidth	MHz	21.00	21.54	-
40dB Bandwidth	MHz	-	23.77	24.00
Passband Ripple (Fc±9.75MHz)	dB	-	0.6	1.00
Group Delay Variation (Fc±9.75MHz)	nsec	-	35	100
Absolute Delay	µsec	-	1.45	-
Ultimate Attenuation	dB	50	55	-
Substrate Material	-	128-LiNbO <sub>3</sub>		
Temperature Coefficient	ppm/°C	-72		

### Package Dimension



### Matching Configuration



L1 = L2 = 82nH, C1 = C2 = 82pF  
 Source / Load Impedance = 50Ω  
 Ambient Temperature = 25°C

07/24/2006

