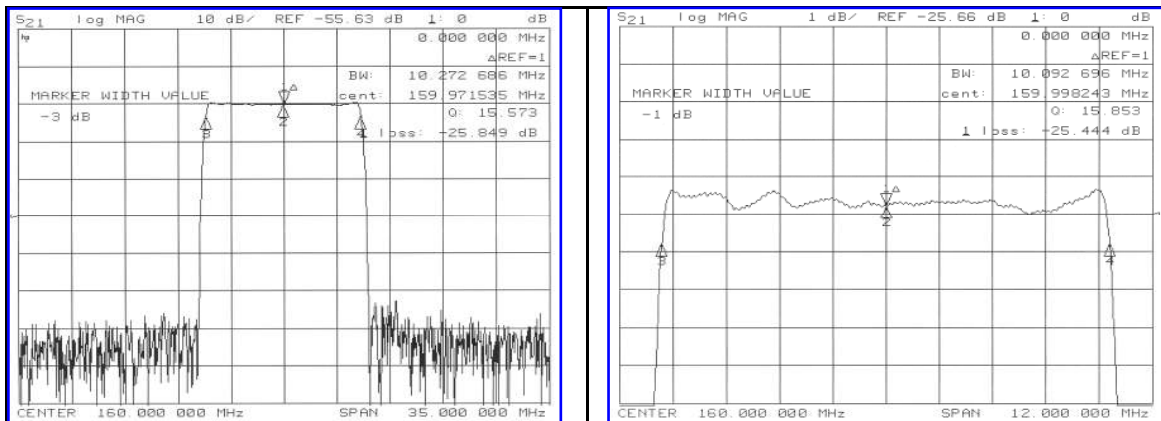


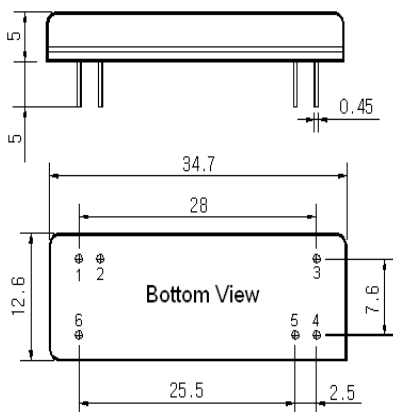
Typical Performance



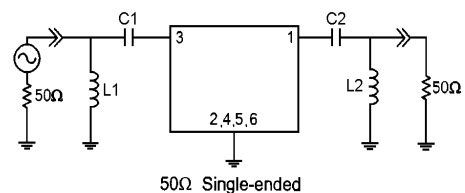
Specification

Parameter	Unit	Min.	Typ.	Max.
Center Frequency (Fc)	MHz	-	160.00	-
Insertion Loss	dB	-	26.00	27.50
1dB Bandwidth	MHz	-	10.09	-
3dB Bandwidth	MHz	10.20	10.27	-
40dB Bandwidth	MHz	-	11.10	11.30
Passband Ripple (Fc±4.875MHz)	dB	-	0.75	1.50
Group Delay Variation	nsec	-	92	200
Absolute Delay	µsec	-	4.19	-
Ultimate Attenuation	dB	50	53	-
Substrate Material	-	LiTaO ₃		
Temperature Coefficient	ppm/°C	-20		

Package Dimension



Matching Configuration



L1=L2=22nH, C1=150pF, C2=160pF
 Source / Load Impedance = 50Ω
 Ambient Temperature = 25°C

07/19/2006

