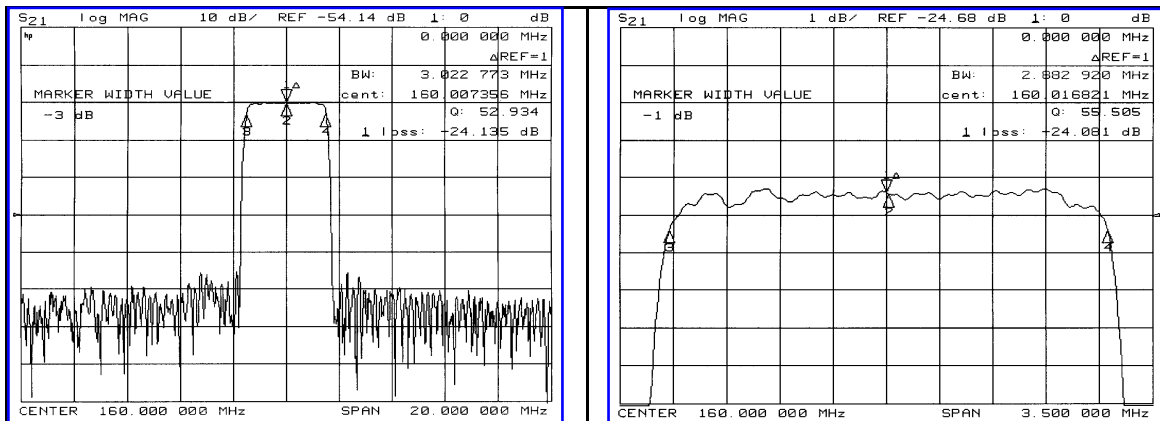


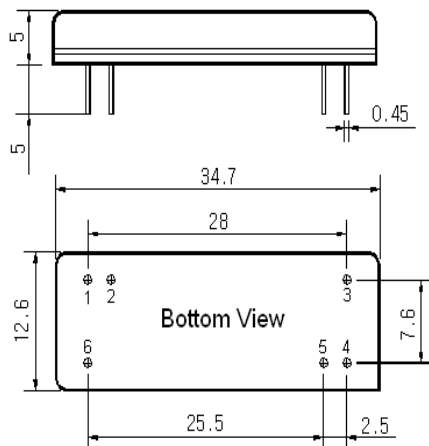
Typical Performance



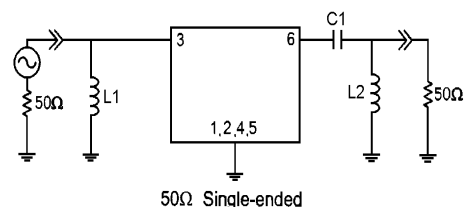
Specification

Parameter	Unit	Min.	Typ.	Max.
Center Frequency (Fc)	MHz	-	160.00	-
Insertion Loss	dB	-	24.00	25.50
1dB Bandwidth	MHz	-	2.88	-
3dB Bandwidth	MHz	2.90	3.02	-
40dB Bandwidth	MHz	-	3.45	3.70
Passband Ripple (Fc±1.375MHz)	dB	-	0.80	1.50
Group Delay Variation	nsec	-	225	350
Absolute Delay	µsec	-	4.66	-
Ultimate Attenuation	dB	45	50	-
Substrate Material	-	Quartz		
Temperature Coefficient	ppm/°C ²	-0.03		

Package Dimension



Matching Configuration



L1=15nH, L2=15nH, C1=150pF,
 Source / Load Impedance = 50Ω
 Ambient Temperature = 25°C

07/20/2006

