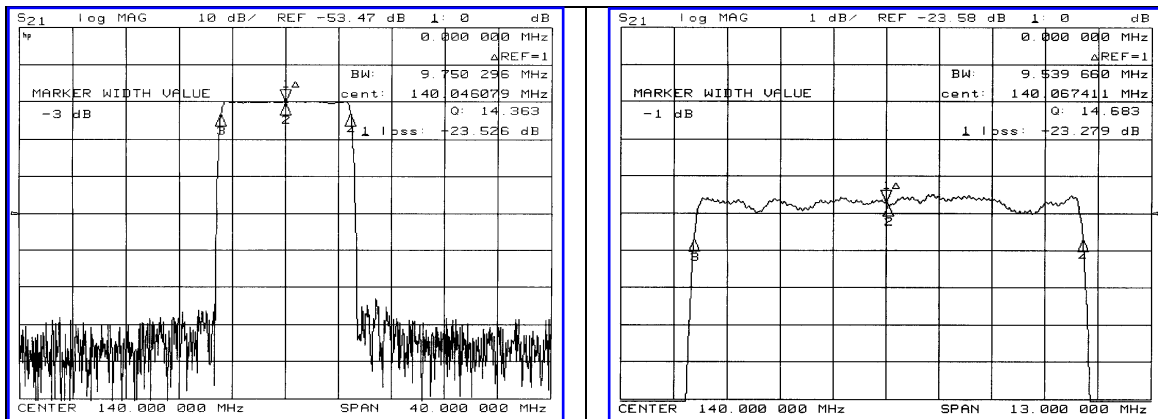


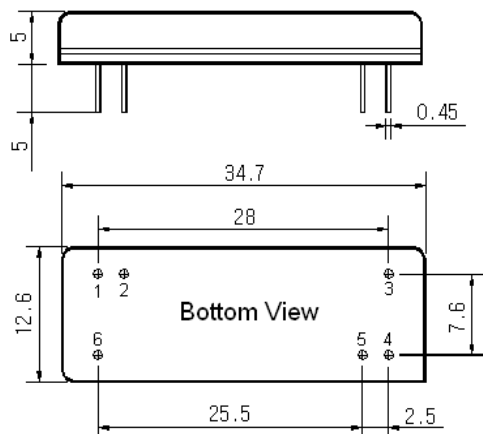
Typical Performance



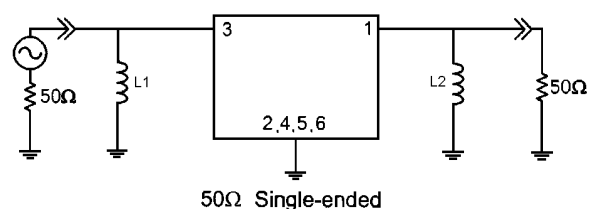
Specification

Parameter	Unit	Min.	Typ.	Max.
Center Frequency	MHz	139.85	140.00	140.15
Insertion Loss	dB	-	24.00	25.50
1dB Bandwidth	MHz	9.40	9.53	-
15dB Bandwidth	MHz	-	10.23	10.40
25dB Bandwidth	MHz	-	10.42	-
40dB Bandwidth	MHz	-	10.59	10.80
Passband Ripple	dB	-	0.75	1.00
Group Delay Variation	nsec	-	100	200
Absolute Delay	μsec	-	3.98	-
Ultimate Attenuation	dB	50	55	-
Substrate Material	-	LiTaO ₃		
Temperature Coefficient	ppm/°C	-20		

Package Dimension



Matching Configuration



L1=18nH, L2=22nH
 Source / Load Impedance = 50Ω
 Ambient Temperature = 25°C

Rev0. 090918

