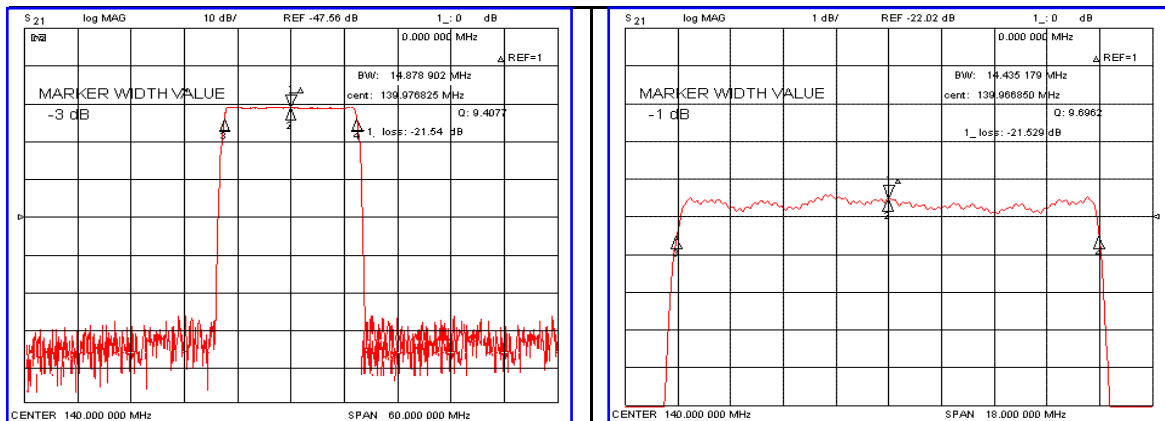


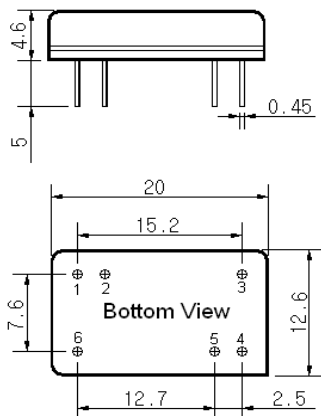
Typical Performance



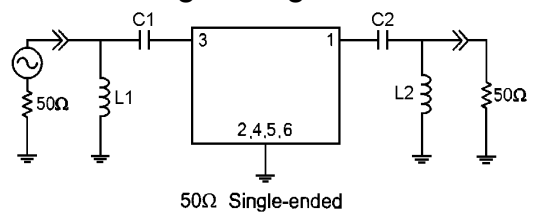
Specification

Parameter	Unit	Min.	Typ.	Max.
Center Frequency (Fc)	MHz	69.92	140.00	70.08
Insertion Loss	dB	-	21.5	24.00
1dB Bandwidth	MHz	-	14.43	-
3dB Bandwidth	MHz	14.60	14.87	-
40dB Bandwidth	MHz	-	16.55	16.80
Passband Ripple	dB	-	0.55	1.0
Group Delay Variation	nsec	-	60	100
Absolute Delay	µsec	-	2.07	-
Ultimate Attenuation	dB	50	55	-
Substrate Material	-	128-LiNbO ₃		
Temperature Coefficient	ppm/°C	-72		

Package Dimension



Matching Configuration



L1= L2=82nH, C1=68pF, C2=47pF
 Source / Load Impedance = 50Ω
 Ambient Temperature = 25°C

08/11/2006

