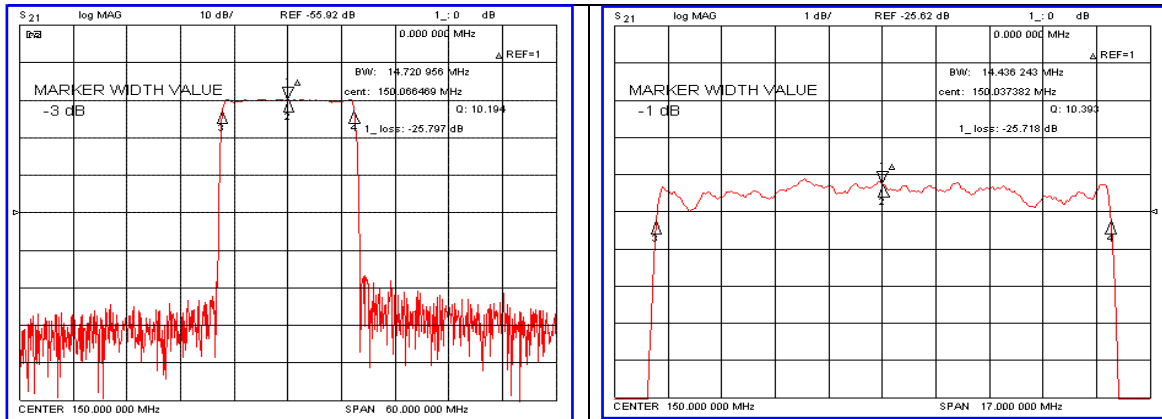


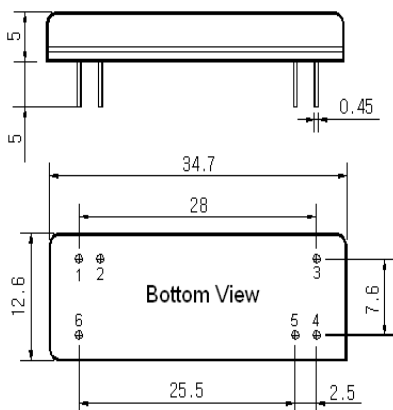
Typical Performance



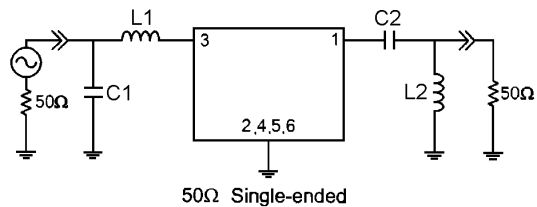
Specification

Parameter	Unit	Min.	Typ.	Max.
Center Frequency	MHz	149.85	150.00	150.15
Insertion Loss	dB	-	25.80	27.00
1dB Bandwidth	MHz	-	14.43	-
3dB Bandwidth	MHz	14.50	14.71	-
40dB Bandwidth	MHz	-	15.84	16.00
Passband Ripple	dB	-	0.75	1.00
Group Delay Variation	nsec	-	100	200
Absolute Delay	μsec	-	2.78	-
Ultimate Attenuation	dB	47	52	-
Substrate Material	-	128-LiNbO ₃		
Temperature Coefficient	ppm/°C	-72		

Package Dimension



Matching Configuration



L1=47nH, L2=68nH, C1=24pF, C2=33pF
 Source / Load Impedance = 50Ω
 Ambient Temperature = 25°C

08/22/2006

